

# 39/340/0

✉ [sales@brannan.co.uk](mailto:sales@brannan.co.uk)

☎ +44 (0)1946 816600

🌐 [brannan.co.uk](http://brannan.co.uk)

## Pressure & temperature test plug kit



The Brannan test plug kit for quick, temporary readings of a system's internal pressure and temperature without having to shut the system down or permanently install expensive gauges. Supplied in robust carry case, this kit is essential for commissioning, and maintaining HVAC, plumbing, and industrial piping systems.

### Product contents:

- 4 range 100mm bottom entry pressure gauge
  - 2pcs x 24mm bimetal test thermometers
  - 2pcs x 1/2" bsp pressure gauge adaptors
- Supplied in sturdy carry case with protective foam inserts

### Standard product weights & dimensions:

|                      |                               |             |
|----------------------|-------------------------------|-------------|
| <b>Net weights:</b>  | Pressure gauge:               | 276g        |
|                      | Adaptors:                     | 47g x 2pcs  |
|                      | Bimetal thermometers:         | 13.5 x 2pcs |
|                      | Carry case with foam inserts: | 326g        |
| <b>Gross weight:</b> | 726g                          |             |

**Total Dimensions:** 240 x 200 x 52mm (see overleaf for individual product dimensions)

**Measurement for life.**

**Brannan**

# 39/340/0

sales@brannan.co.uk

+44 (0)1946 816600

brannan.co.uk

## Pressure & temperature test plug kit

### 4 Scale pressure gauge



#### Product features:

- Pressure gauge with bezel
- Adjustable loose red pointer
- 4 scale ranges
- For dry indoor installations
- **Brannan** quality and accuracy

Replacement product reference number: 34/690/0

#### Product specifications:

| Standards & categories |   |
|------------------------|---|
| Design                 | BS EN 837 / ASME B40.100  |
| Safety category        | S1 (blow-out device gauge)  |
| Gauge construction     |   |
| Case                   | Black steel   |
| Connection orientation | Bottom entry connection   |
| Connection material    | Brass   |
| Bezel                  | Stainless steel   |
| Pointer                | Black aluminium and loose red pointers  |
| Measuring principle    | Bourdon tube Cu-Alloy   |
| Movement               | Cu-Alloy  |
| Window                 | Acrylic, snap fit   |
| Ranges & parameters    |   |
| Dial diameters         | 100mm (4")  |
| Ranges                 | 0 to 100 psi / 0 to 230 Ft H <sub>2</sub> O / 0 to 700 KPA, 0 to 70 meters H <sub>2</sub> O   |
| Thread size            | 1/4" BSP  |
| Accuracy class         | 1.6%  |
| Filling                | Dry   |
| Working pressure       | Steady: 75% full scale range, fluctuating: 60% full scale range, short time: full scale range   |
| Operating temperature  | Ambient: -20 to +60°C, medium: -20 to +60°C   |
| Storage temperature    | -40 to +60°C  |
| Protection             | IP 43   |
| Temperature effect     | When temperature of the pressure element deviates from reference temperature of 20°C the maximum additional error is +/-0.4 per 10°C of the span rising and falling |
| Optional extras        |   |
| Calibration            | UKAS certification, certificate traceable to recognised national standard or statement of conformity  |

# 39/340/0

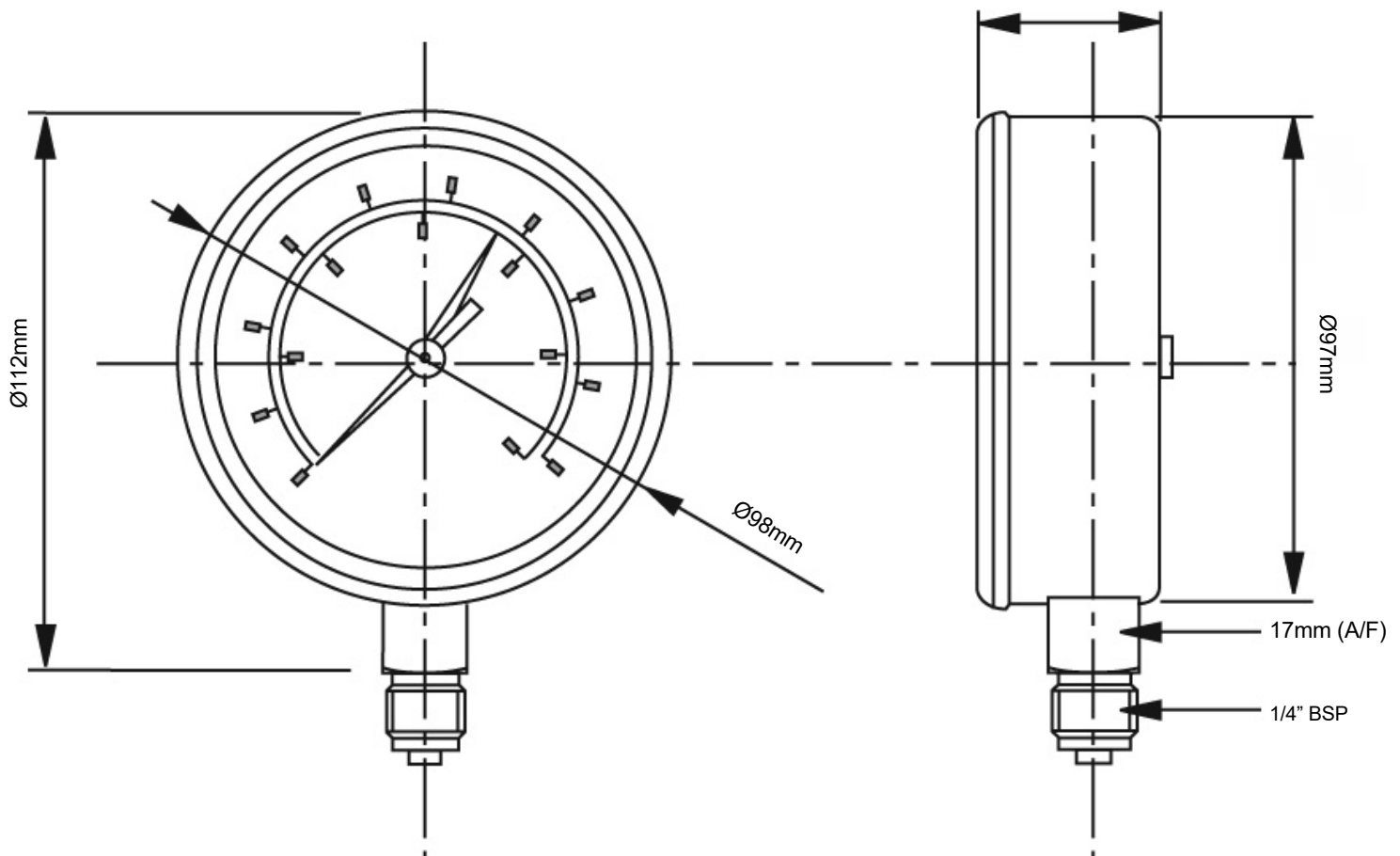
✉ [sales@brannan.co.uk](mailto:sales@brannan.co.uk)

☎ +44 (0)1946 816600

🌐 [brannan.co.uk](http://brannan.co.uk)

## Pressure & temperature test plug kit

Product dimensions:



# 39/340/0

✉ sales@brannan.co.uk

☎ +44 (0)1946 816600

🌐 brannan.co.uk

## Pressure & temperature test plug kit

### Bimetal test thermometer

#### Product features:

- Choice of temperature scale
- Bimetal dial with 125mm stainless steel probe
- Protective plastic pocket case with clip

Replacement product reference numbers:

Range: -40 to 70°C - 31/141/0

Range: -10 to 110°C - 31/143/0



#### Product specifications:

|                          |                              |
|--------------------------|------------------------------|
| Case & stem material     | Stainless steel              |
| Pointer & scale material | Aluminium                    |
| Temperature ranges       | -40 to +70°C or -10 to 110°C |
| Accuracy                 | +/-2% of scale               |
| Weight                   | 14g                          |
| Dimensions               | Ø24mm x 125mm                |

### Pressure gauge adaptor

#### Product features:

- 1/4" BSP female connection
- Brass

Replacement product reference number: 39/309/0

#### Product specifications:

|                |                 |
|----------------|-----------------|
| Material       | Brass           |
| Connection     | 1/4" BSP female |
| Weight         | 47g             |
| Overall length | 66.74mm         |
| Distance A/F   | 16mm            |

