

# Product data sheet

✉ [sales@brannan.co.uk](mailto:sales@brannan.co.uk)

☎ +44 (0)1946 816600

🌐 [brannan.co.uk](http://brannan.co.uk)

## DS006 - DIAPHRAGM SEAL - HEAVY DUTY 2PC INDUSTRIAL TYPE



### Product features:

- 2-piece heavy duty construction
- Diaphragm welded to housing
- Various fill fluids available
- A choice of diaphragm materials to allow suitability with a wide range of processes
- Flushing connection optional
- **Brannan** quality

### Applications:

- Oil & gas
- Process industry
- Chemical/petrochemical

### Standard product specifications:

|                                |  |
|--------------------------------|--|
| <b>Type</b>                    | 2-piece construction, diaphragm welded to housing  |
| <b>Mounting</b>                | Direct mounting (please contact us for remote mounting options)  |
| <b>Diaphragm material*</b>     | Stainless steel 316L, Hastelloy C, Monel,  |
| <b>Lower housing material*</b> | Stainless steel 316, stainless steel 316L, Hastelloy-C, PVC, polypropylene   |
| <b>Upper housing material*</b> | Stainless steel 304, stainless steel 316, stainless steel 316L   |
| <b>Instrument connection</b>   | 1/4", 3/8", 1/2" BSP/NPT female  |
| <b>Process connection</b>      | 1/4", 3/8", 1/2", 3/4" BSP/NPT male or female  |
| <b>Max pressure</b>            | Standard; 100 bar, high pressure; 400 bar  |
| <b>Process temperature</b>     | Dependent on fill fluid, see below for details   |
| <b>Filling fluid</b>           | Fluorolube (-40 to 235°C)<br>Silicone DC200 (-40 to 200°C)<br>Syltherm 800 (-40 to 315°C)<br>(others available on request) |
| <b>Fill port</b>               | On the side – set screw  |
| <b>Flushing connection</b>     | Optional (1/2" & 1/2" BSP/NPT)   |

\*other materials available on request

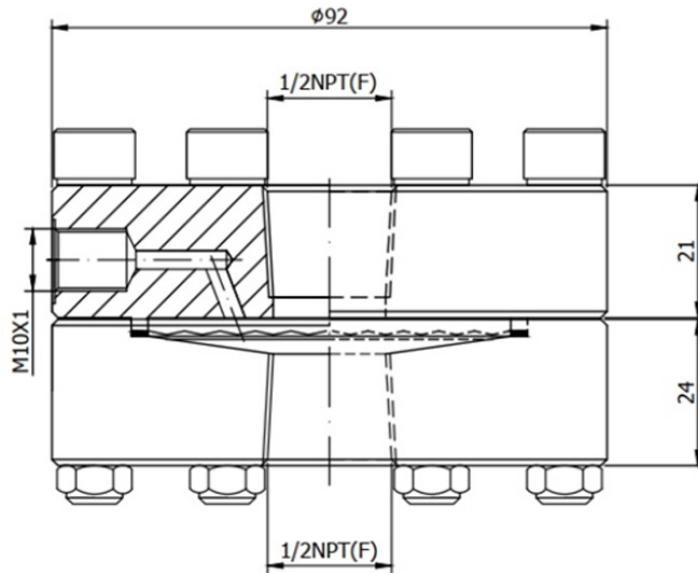
# Product data sheet

✉ [sales@brannan.co.uk](mailto:sales@brannan.co.uk)

☎ +44 (0)1946 816600

🌐 [brannan.co.uk](http://brannan.co.uk)

## Product dimensions:



# Product data sheet

## Product numbers:

All DS006 diaphragm seals are ordered to specific customer specifications. Please use the below matrix to create your unique product reference, using the values in bold.

| Make                    | Model          | Max pressure             | Diaphragm material          | Upper housing               | Lower housing                  | Process connection (M or F) | Instrument connection  | Filling fluid                                    | Extras   |
|-------------------------|----------------|--------------------------|-----------------------------|-----------------------------|--------------------------------|-----------------------------|------------------------|--|--|
| Brannan<br><b>(BRN)</b> | <b>(DS006)</b> | 100 bar<br><b>(STD)</b>  | SS 316L<br><b>(316L)</b>    | SS 304<br><b>(USS304)</b>   | SS 316<br><b>(LSS316)</b>      | 1/4" BSP (M)<br><b>(M3)</b> | 1/4" BSP<br><b>(3)</b> | Fluolube<br>(-40 to 235°C)<br><b>(FLU)</b>       | Materials Test<br>Certificate<br><b>(MTC)</b>        |
|                         |                | 400 bar<br><b>(HIGH)</b> | Hastelloy-C<br><b>(HAS)</b> | SS 316<br><b>(USS316)</b>   | SS 316L<br><b>(LSS316L)</b>    | 1/4" BSP (F)<br><b>(F3)</b> | 1/4" NPT<br><b>(4)</b> | Silicone DC200<br>(-40 to 305°C)<br><b>(S)</b>   | 1/2" NPT F<br>Flushing<br>Connection<br><b>(FC8)</b> |
|                         |                |                          | Monel<br><b>(MON)</b>       | SS 316L<br><b>(USS316L)</b> | Hastelloy-C<br><b>(LSSHAS)</b> | 1/4" NPT (M)<br><b>(M4)</b> | 3/8" BSP<br><b>(5)</b> |  | 1/2" BSP F<br>Flushing<br>Connection<br><b>(FC7)</b> |
|                         |                |                          |                             |                             |                                | 1/4" NPT (F)<br><b>(F4)</b> | 3/8" NPT<br><b>(6)</b> | Syltherm 800<br>(-40 to 315°C)<br><b>(SY800)</b> | 1/2" BSP F<br>Flushing<br>Connection<br><b>(FC7)</b> |
|                         |                |                          |                             |                             |                                | 3/8" BSP (M)<br><b>(M5)</b> | 1/2" BSP<br><b>(7)</b> |  | 1/4" NPT F<br>Flushing<br>Connection<br><b>(FC4)</b> |
|                         |                |                          |                             |                             |                                | 3/8" BSP (F)<br><b>(F5)</b> | 1/2" NPT<br><b>(8)</b> |  | 1/4" BSP F<br>Flushing<br>Connection<br><b>(FC3)</b> |
|                         |                |                          |                             |                             |                                | 3/8" NPT (M)<br><b>(M6)</b> |                        |  |  |
|                         |                |                          |                             |                             |                                | 3/8" NPT (F)<br><b>(F6)</b> |                        |  |  |
|                         |                |                          |                             |                             |                                | 1/2" BSP (M)<br><b>(M7)</b> |                        |  |  |
|                         |                |                          |                             |                             |                                | 1/2" BSP (F)<br><b>(F7)</b> |                        |  |  |
|                         |                |                          |                             |                             |                                | 1/2" NPT (M)<br><b>(M8)</b> |                        |  |  |
|                         |                |                          |                             |                             |                                | 1/2" NPT (F)<br><b>(F8)</b> |                        |  |  |

## Order example:

| Make       | Model       | Max pressure | Diaphragm material | Upper housing | Lower housing  | Process connection (M or F) | Instrument connection | Filling fluid | Extras     |
|------------|-------------|--------------|--------------------|---------------|----------------|-----------------------------|-----------------------|---------------|------------|
| <b>BRN</b> | <b>DS06</b> | <b>STD</b>   | <b>MON</b>         | <b>USS304</b> | <b>LSS316L</b> | <b>F7</b>                   | <b>7</b>              | <b>S</b>      | <b>FC7</b> |

**Product reference:** BRNDS06/STD/MON/USS304/LSS316L/F7/7/S/FC7