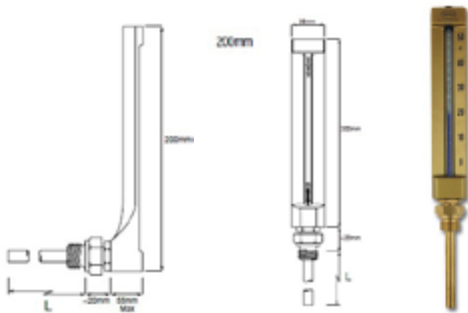


V-LINES - STEM LENGTH AND IMMERSION

V-Line Thermometers are supplied with different stem lengths, to accommodate different pipe sizes. The glass bulb is encased in a pocket (thermowell) and the pocket is then screwed into the pipework. Should the user need to remove the glass thermometer, then they can do this without turning off the machine or system as they simply unscrew the v-line case from the pocket.



The user needs to determine the 'L' length, by checking how much the stem needs to be inserted into the pipe or engine in order to measure the temperature. The 'L' length measures the distance from the top of the thread to the tip of the stem.

