

# Product data sheet

✉ [sales@brannan.co.uk](mailto:sales@brannan.co.uk)

☎ +44 (0)1946 816600

🌐 [brannan.co.uk](http://brannan.co.uk)

## XT040 - STAINLESS STEEL LIQUID EXPANSION THERMOMETERS



### Features:

- Weatherproof thermometer with stainless steel case and bezel
- High quality liquid expansion measuring system
- Choice of dial diameters
- Wide choice of temperature ranges and stem lengths
- Supplied complete with stainless steel pocket or sliding union
- **Brannan** quality and accuracy
- For outdoor and high humidity installations
- Wide range of associated accessories available (see Accessories section of this catalogue)

### Standard product specifications:

Dial diameters	100mm & 150mm
Design	BS EN 13190
Accuracy class	2
Ranges	-40 to +40°C&F through to 0 to +250°C&F
Case	304 Stainless steel
Bezel	304 Stainless steel
Seal	74 shore D polyurethane
Connection	1/2" BSP bottom or back entry
Stem lengths	140mm, 200mm & 250mm
Pocket lengths	63mm, 100mm & 150mm
Sensor mechanism	Liquid expansion (Kerosene filling)
Window	Glass
Pointer	Black plastic
Filling	Dry
Operating temperature	0 to +40°C (higher or lower temperatures can cause indication errors)
Storage temperature	-40 to +60°C
Protection	IP67
Calibration	UKAS certification, certificate traceable to Recognised National Standard or Statement of Conformity, if required

# Product data sheet

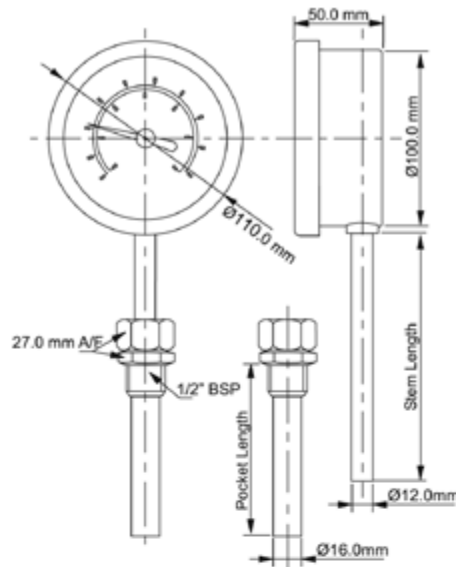
✉ [sales@brannan.co.uk](mailto:sales@brannan.co.uk)

☎ +44 (0)1946 816600

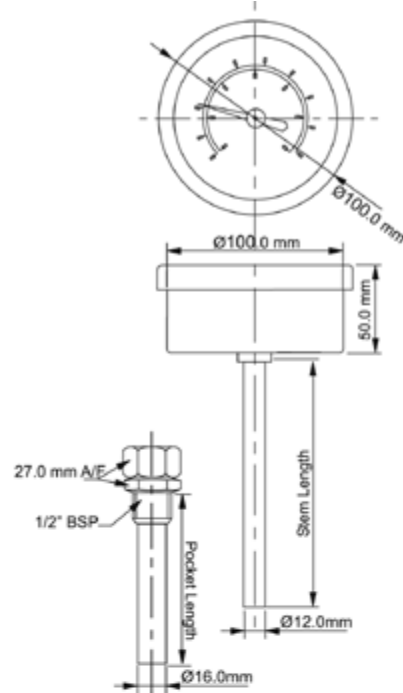
🌐 [brannan.co.uk](http://brannan.co.uk)

## Dimensions:

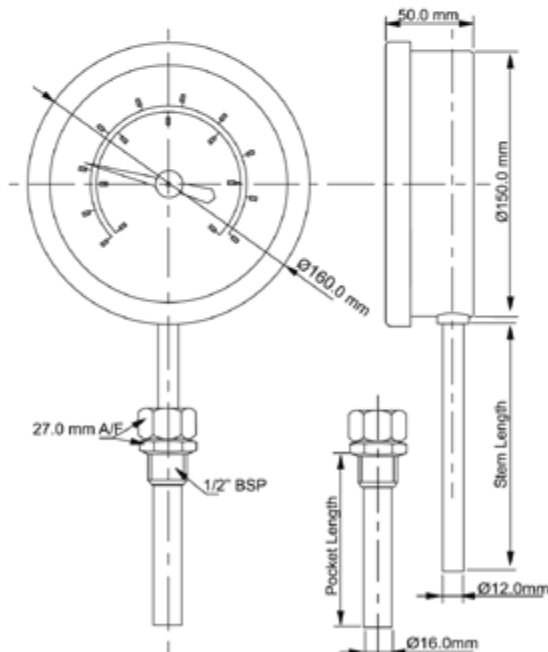
### 100mm Dial thermometer - bottom entry



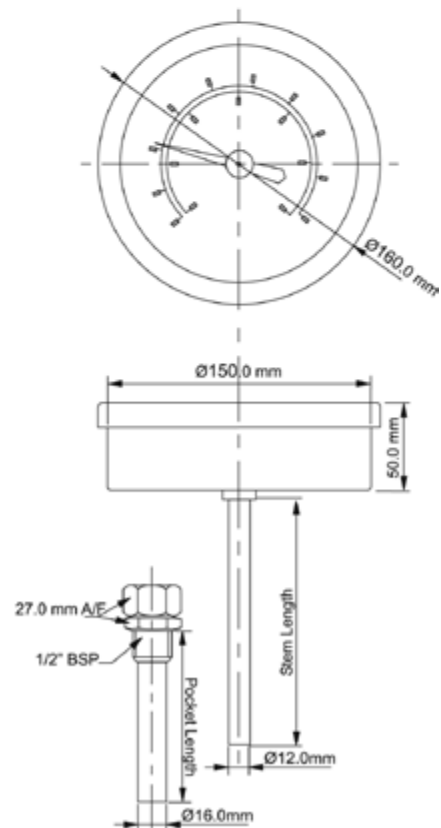
### 100mm Dial thermometer - back entry



### 150mm Dial thermometer - bottom entry



### 150mm Dial thermometer - back entry



# Product data sheet

## Standard product numbers:

The following are our standard product numbers for dial thermometers supplied complete with pocket. Special products can be supplied on request, for example, customer own branding, alternative pocket length, range, etc. Minimum order quantities apply. Please contact our Sales Team for further information.

### 100mm Diameter dials - supplied with pocket:

Range	Stem(S) length / Pocket(P) length							
	Bottom entry				Back entry			
	S=140mm P=63mm	S=140mm P=100mm	S=200mm P=150mm	S=250mm P=150mm	S=140mm P=63mm	S=140mm P=100mm	S=200mm P=150mm	S=250mm P=150mm
-40 to +40°C only	300/621/0	300/641/0	300/661/0	300/681/0	301/621/0	301/641/0	301/661/0	301/681/0
-40 to +40°C&F	300/622/0	300/642/0	300/662/0	300/682/0	301/622/0	301/642/0	301/662/0	301/682/0
-20 to +60°C only	300/623/0	300/643/0	300/663/0	300/683/0	301/623/0	301/643/0	301/663/0	301/683/0
-20 to +60°C&F	300/624/0	300/644/0	300/664/0	300/684/0	301/624/0	301/644/0	301/664/0	301/684/0
0 to +120°C only	300/625/0	300/645/0	300/665/0	300/685/0	301/625/0	301/645/0	301/665/0	301/685/0
0 to +120°C&F	300/626/0	300/646/0	300/666/0	300/686/0	301/626/0	301/646/0	301/666/0	301/686/0
0 to +160°C only	300/627/0	300/647/0	300/667/0	300/687/0	301/627/0	301/647/0	301/667/0	301/687/0
0 to +160°C&F	300/628/0	300/648/0	300/668/0	300/688/0	301/628/0	301/648/0	301/668/0	301/688/0
0 to +200°C only	300/629/0	300/649/0	300/669/0	300/689/0	301/629/0	301/649/0	301/669/0	301/689/0
0 to +200°C&F	300/630/0	300/650/0	300/670/0	300/690/0	301/630/0	301/650/0	301/670/0	301/690/0
0 to +250°C only	300/631/0	300/651/0	300/671/0	300/691/0	301/631/0	301/651/0	301/671/0	301/691/0
0 to +250°C&F	300/632/0	300/652/0	300/672/0	300/692/0	301/632/0	301/652/0	301/672/0	301/692/0

### 150mm Diameter dials - supplied with pocket:

Range	Stem(S) length / Pocket(P) length							
	Bottom entry				Back entry			
	S=140mm P=63mm	S=140mm P=100mm	S=200mm P=150mm	S=250mm P=150mm	S=140mm P=63mm	S=140mm P=100mm	S=200mm P=150mm	S=250mm P=150mm
-40 to +40°C only	300/921/0	300/941/0	300/961/0	300/981/0	301/921/0	301/941/0	301/961/0	301/981/0
-40 to +40°C&F	300/922/0	300/942/0	300/962/0	300/982/0	301/922/0	301/942/0	301/962/0	301/982/0
-20 to +60°C only	300/923/0	300/943/0	300/963/0	300/983/0	301/923/0	301/943/0	301/963/0	301/983/0
-20 to +60°C&F	300/924/0	300/944/0	300/964/0	300/984/0	301/924/0	301/944/0	301/964/0	301/984/0
0 to +120°C only	300/925/0	300/945/0	300/965/0	300/985/0	301/925/0	301/945/0	301/965/0	301/985/0
0 to +120°C&F	300/926/0	300/946/0	300/966/0	300/986/0	301/926/0	301/946/0	301/966/0	301/986/0
0 to +160°C only	300/927/0	300/947/0	300/967/0	300/987/0	301/927/0	301/947/0	301/967/0	301/987/0
0 to +160°C&F	300/928/0	300/948/0	300/968/0	300/988/0	301/928/0	301/948/0	301/968/0	301/988/0
0 to +200°C only	300/929/0	300/949/0	300/969/0	300/989/0	301/929/0	301/949/0	301/969/0	301/989/0
0 to +200°C&F	300/930/0	300/950/0	300/970/0	300/990/0	301/930/0	301/950/0	301/970/0	301/990/0
0 to +250°C only	300/931/0	300/951/0	300/971/0	300/991/0	301/931/0	301/951/0	301/971/0	301/991/0
0 to +250°C&F	300/932/0	300/952/0	300/972/0	300/992/0	301/932/0	301/952/0	301/972/0	301/992/0

### Net product weights (Thermometer dials - supplied with pocket):

Stem(S) length / Pocket(P) length							
100mm dia (bottom or back entry)				150mm dia (bottom or back entry)			
S=140mm P=63mm	S=140mm P=100mm	S=200mm P=150mm	S=250mm P=150mm	S=140mm P=63mm	S=140mm P=100mm	S=200mm P=150mm	S=250mm P=150mm
485g	501g	561g	568g	881g	897g	957g	964g

# Product data sheet

## Standard product numbers:

The following are our standard product numbers for dial thermometers supplied complete with sliding union (no pocket). Special products can be supplied on request, for example, customer own branding, alternative pocket length, range, etc. Minimum order quantities apply. Please contact our Sales Team for further information.

### 100mm Diameter dials - supplied with sliding union (no pocket):

Range	Bottom connection			Back connection		
	140mm Stem	200mm Stem	250mm Stem	140mm Stem	200mm Stem	250mm Stem
-40 to +40°C only	310/641/0	310/661/0	310/681/0	311/641/0	311/661/0	311/681/0
-40 to +40°C&F	310/642/0	310/662/0	310/682/0	311/642/0	311/662/0	311/682/0
-20 to +60°C only	310/643/0	310/663/0	310/683/0	311/643/0	311/663/0	311/683/0
-20 to +60°C&F	310/644/0	310/664/0	310/684/0	311/644/0	311/664/0	311/684/0
0 to +120°C only	310/645/0	310/665/0	310/685/0	311/645/0	311/665/0	311/685/0
0 to +120°C&F	310/646/0	310/666/0	310/686/0	311/646/0	311/666/0	311/686/0
0 to +160°C only	310/647/0	310/667/0	310/687/0	311/647/0	311/667/0	311/687/0
0 to +160°C&F	310/648/0	310/668/0	310/688/0	311/648/0	311/668/0	311/688/0
0 to +200°C only	310/649/0	310/669/0	310/689/0	311/649/0	311/669/0	311/689/0
0 to +200°C&F	310/650/0	310/670/0	310/690/0	311/650/0	311/670/0	311/690/0
0 to +250°C only	310/651/0	310/671/0	310/691/0	311/651/0	311/671/0	311/691/0
0 to +250°C&F	310/652/0	310/672/0	310/692/0	311/652/0	311/672/0	311/692/0

### 150mm Diameter dials - supplied with sliding union (no pocket):

Range	Bottom connection			Back connection		
	140mm Stem	200mm Stem	250mm Stem	140mm Stem	200mm Stem	250mm Stem
-40 to +40°C only	310/941/0	310/961/0	310/981/0	311/941/0	311/961/0	311/981/0
-40 to +40°C&F	310/942/0	310/962/0	310/982/0	311/942/0	311/962/0	311/982/0
-20 to +60°C only	310/943/0	310/963/0	310/983/0	311/943/0	311/963/0	311/983/0
-20 to +60°C&F	310/944/0	310/964/0	310/984/0	311/944/0	311/964/0	311/984/0
0 to +120°C only	310/945/0	310/965/0	310/985/0	311/945/0	311/965/0	311/985/0
0 to +120°C&F	310/946/0	310/966/0	310/986/0	311/946/0	311/966/0	311/986/0
0 to +160°C only	310/947/0	310/967/0	310/987/0	311/947/0	311/967/0	311/987/0
0 to +160°C&F	310/948/0	310/968/0	310/988/0	311/948/0	311/968/0	311/988/0
0 to +200°C only	310/949/0	310/969/0	310/989/0	311/949/0	311/969/0	311/989/0
0 to +200°C&F	310/950/0	310/970/0	310/990/0	311/950/0	311/970/0	311/990/0
0 to +250°C only	310/951/0	310/971/0	310/991/0	311/951/0	311/971/0	311/991/0
0 to +250°C&F	310/952/0	310/972/0	310/992/0	311/952/0	311/972/0	311/992/0

### Net product weights (Thermometer dials - supplied with sliding union):

Stem(S) length + sliding union					
100mm dia (bottom or back entry)			150mm dia (bottom or back entry)		
S=140mm	S=200mm	S=250mm	S=140mm	S=200mm	S=250mm
502g	536g	543g	881g	898g	939g

### Packaging:

All stainless steel expansion dial thermometers are supplied in individual box with specification label.

# Product data sheet

✉ [sales@brannan.co.uk](mailto:sales@brannan.co.uk)

☎ +44 (0)1946 816600

🌐 [brannan.co.uk](http://brannan.co.uk)

## Pockets for thermometers (Thermowells):

- Available in brass or stainless steel
- To suit stem lengths 50mm, 100mm or 150mm



## Standard product numbers:

Connection	Supplied as standard	Material	Product no		
			L=50mm	L=100mm	L=150mm
Sliding fit F x 1/2" BSP M	BT010, BT020	Brass	39/097/0	39/098/0	-
Sliding fit F x 1/2" BSP M	-	Stainless Steel	39/095/0	39/096/0	-
3/8" BSP F x 1/2" BSP M	XT020, XT025	Brass	39/121/0	39/122/0	39/123/0
3/8" BSP F x 1/2" BSP M	XT040, XT045	Stainless Steel	39/111/0	39/112/0	39/113/0
3/8" BSP F x 1/2" BSP M with 50mm Lagging extensions	-	Brass	39/160/0	39/161/0	-
3/8" BSP F x 1/2" BSP M with 50mm Lagging extensions	-	Stainless Steel	39/170/0	39/171/0	-
3/8" BSP F x 3/4" BSP M	-	Brass	39/124/0	39/125/0	39/120/0
3/8" BSP F x 3/4" BSP M	-	Stainless Steel	39/114/0	39/115/0	39/116/0

View me on  
the website

