

Product data sheet

✉ sales@brannan.co.uk

☎ +44 (0)1946 816600

🌐 brannan.co.uk

PG035 - CONTRACTOR PRESSURE GAUGE



Product features:

- Stainless steel pressure gauge with bezel
- **Brannan** quality and accuracy
- Wide choice of pressure ranges
- Ideal with plumbing and HVAC installations
- Wide range of associated accessories available

Applications:

- Heating, ventilation, air-conditioning
- Plumbing
- Compressors
- Air filters
- Pneumatics

Standard product specifications:

Dial diameters	115mm
Design	ASME B40.100
Safety category	0 - gauge without blow-out device (according to EN-837)
Accuracy class	+/-1%, ASME Grade 1A
Ranges	-1 to 9 bar & psi through to 0 to 14500 bar & psi
Case	304 stainless steel
Process connection	3/8", 1/4" & 1/2" BSP/NPT/BSPT (others available on request)
Connection orientation	Bottom only
Connection material	Brass
Bezel	304 stainless steel
Measuring principle	Bourdon tube, Cu-Alloy
Movement	Cu-alloy
Window	Clear plastic (glass optional)
Pointer	Black aluminium
Filling	Dry
Working pressure	Steady: 75% full scale range Fluctuating: 60% full scale range Short time: full scale range
Operating temperature	Ambient: -20 to +60°C Medium: -20 to +60°C
Storage temperature	-40 to +60°C
Temperature effect	When temperature of the pressure element deviates from reference temperature of 20°C the maximum additional error is +/-0.4 per 10°C of the span rising and falling
Protection	IP 43 (BS EN 60529:1992)
Calibration	UKAS certification, certificate traceable to recognised national standard or statement of conformity, if required

View me on
the website



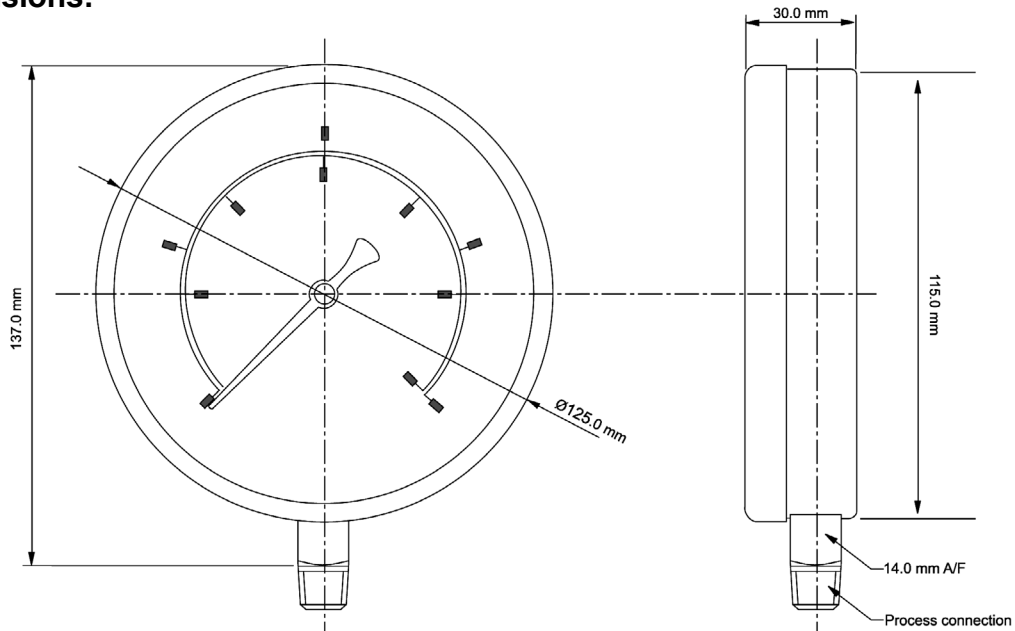
Product data sheet

✉ sales@brannan.co.uk

☎ +44 (0)1946 816600

🌐 brannan.co.uk

Product dimensions:




Weights:

Dial diameter	Orientation	Box dimensions	Net weight	Box weight	Total weight
125mm	Bottom	150 x 130 x 38mm	299.5g	32.5g	334g

Product data sheet

 sales@brannan.co.uk

 +44 (0)1946 816600

 brannan.co.uk

Product numbers:

The following products are usually kept in stock at Brannan and can therefore be ordered on the below numbers:

PG035 pressure gauges

(psi outer scale - red, bar inner scale - black)

Range (psi dominant)	Product number	
	1/2" BSP	1/4" NPT
0 to 100 psi & bar	35/793/1	35/793/0*
0 to 160 psi & bar	35/355/1	35/794/0*
0 to 200 psi & bar	35/795/1	35/795/0*
0 to 230 psi & bar	35/356/1	35/356/0
0 to 300 psi & bar	35/357/1	35/796/0*
0 to 400 psi & bar	35/797/1	35/797/0*

*psi outer scale black, bar inner scale red)

Other PG035 dials are ordered to specific customer specifications.

Please use below matrix to create your unique ordering product reference, using the values in bold.

Make	Model	Dial diameter	Ranges	Units	Connection size	Connection orientation	Extras
Brannan (BRN)	PG035 (PG35)	115mm (115)	-1 to 9 bar (-1+9) -30 to 130 Hg/Psi (-30+130) through to 0 to 1000 bar (0+1000) 0 to 14500 Psi (0+14500)	Bar only (black) (B) Psi only (black) (P) Bar outer (black) / psi inner (red) (BP) Psi outer (red) / bar inner (black) (PB) kPa outer (black) / Psi inner (red) (KP) Psi outer (red) / kPa inner (black) (PK)	1/4" BSP (3) 1/4" NPT (4) 3/8" BSP ₁ (5) 3/8" NPT ₁ (6) 1/2" BSP ₁ (7) 1/2" NPT ₁ (8) 1/4" BSPT (10) 3/8" BSPT ₁ (11) 1/2" BSPT ₁ (12)	Bottom (BO)	Glass window (G)

1. Using adaptor
NB. Others available on
request

Order example:

Make	Model	Dial diameter	Ranges	Units	Connection size	Connection orientation	Extras
BRN	PG35	100	0+9	B	7	BO	G

Product reference: BRNPG35/100/0+9/B/7/BO/G

Calibration product numbers:

Calibration	No of points	Product number
UKAS	5pt	49/075/0
Traceable to National Standards	5pt	49/060/0

Other calibration types available on request