

# Product data sheet

✉ [sales@brannan.co.uk](mailto:sales@brannan.co.uk)

☎ +44 (0)1946 816600

🌐 [brannan.co.uk](http://brannan.co.uk)

## PG030 - STAINLESS STEEL FILLABLE PRESSURE GAUGE



### Features:

- Waterproof and corrosion resistant case
- Glycerine filling available
- Front or back flange available for panel mounting
- **Brannan** quality and accuracy
- For outdoor and high humidity installations
- Wide choice of pressure ranges and dial diameters
- Wide range of associated accessories available

### Applications:

- Pneumatics
- Heating, ventilation, air-conditioning
- Pulp and paper industry
- Pumps, compressors, hydraulic presses
- High humidity installations
- Hydraulics
- Food and beverage industry
- Machine and apparatus construction
- Outdoor installations

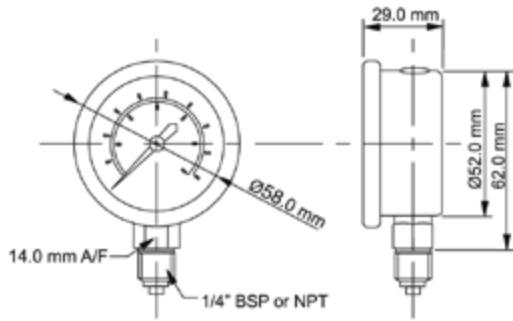
### Standard product specifications:

<b>Dial diameters</b>	50mm, 63mm & 100mm
<b>Design</b>	BS EN 837
<b>Accuracy class</b>	1.6 (for Class 1.0 - see PG040)
<b>Ranges</b>	-1 to 0 bar & psi through to 0 to 600 bar & psi
<b>Case</b>	Stainless steel 304
<b>Connection</b>	50 & 63mm diameter: 1/4" BSP or NPT Brass bottom or centre back entry 100mm diameter: 1/2" BSP or NPT Brass bottom or lower back entry
<b>Bezel</b>	Stainless steel 304. 50mm & 63mm dia dials: rolled bezel, 100mm dia dial: flat bezel
<b>Window</b>	Polycarbonate
<b>Pointer</b>	Black aluminium
<b>Filling</b>	Dry or glycerine filled
<b>Working pressure</b>	Steady: 75% full scale range Fluctuating: 60% full scale range Short time: full scale range
<b>Operating temperature</b>	Ambient: -20 to +60°C Medium: -20 to +60°C
<b>Storage temperature</b>	-40 to +60°C
<b>Temperature effect</b>	When temperature of the pressure element deviates from reference temperature of 20°C the maximum additional error is +/-0.4 per 10°C of the span rising and falling
<b>Bourdon</b>	Cu-Alloy C-type
<b>Bourdon movement</b>	Cu-Alloy
<b>Protection</b>	IP 65
<b>Calibration</b>	UKAS certification, certificate traceable to Recognised National Standard or Statement of Conformity, if required

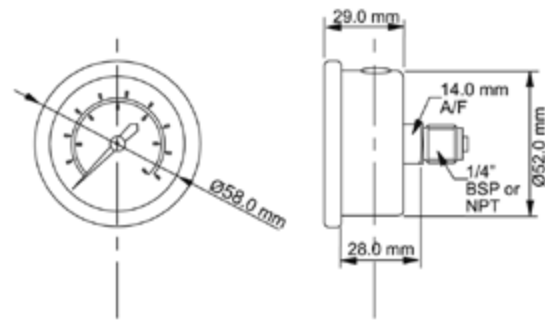
# Product data sheet

## Dimension:

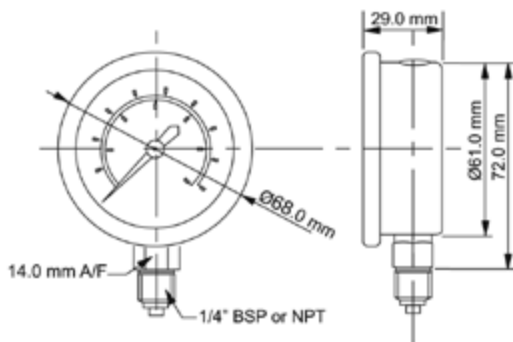
50mm Dial pressure gauge - bottom entry



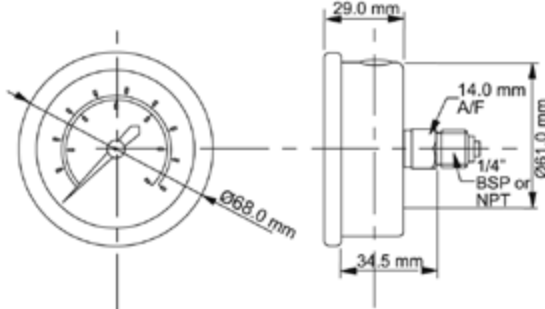
50mm Dial pressure gauge - back entry



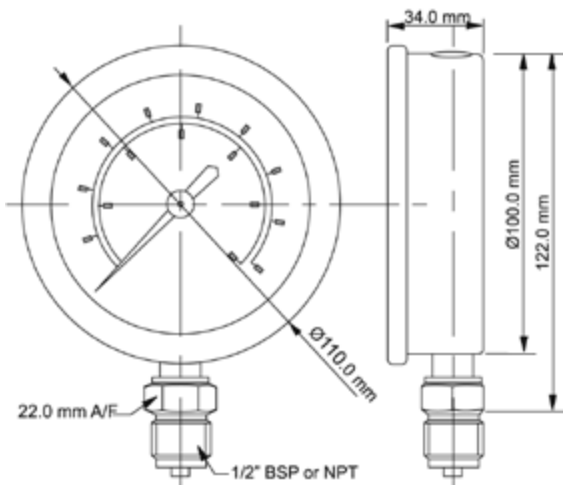
63mm Dial pressure gauge - bottom entry



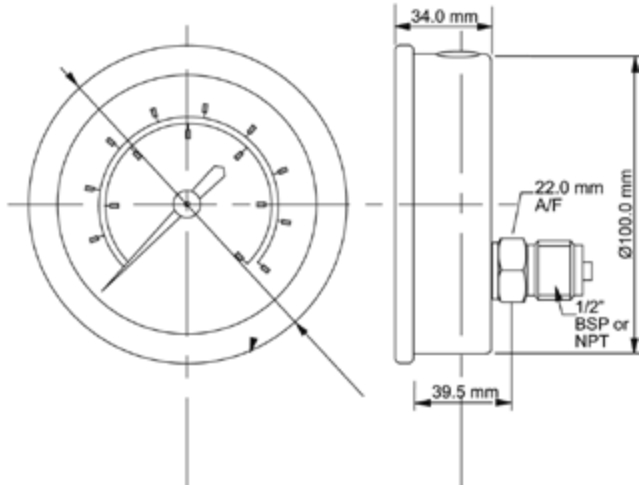
63mm Dial pressure gauge - back entry



100mm Dial pressure gauge - bottom entry





100mm Dial pressure gauge - back entry



# Product data sheet

 [sales@brannan.co.uk](mailto:sales@brannan.co.uk)

 +44 (0)1946 816600

 [brannan.co.uk](http://brannan.co.uk)

## Standard product numbers:

The following are our standard product numbers for stainless steel pressure gauges, 1/4" BSP and NPT connections, dry (fillable). To order glycerine filled pressure gauge from this range, substitute last "0" for "5", ie 37/201/0 becomes 37/201/5.

To order pressure gauge with back flange, substitute last "0" for "6" ie 37/201/0 becomes 37/201/6.

If gauge is required glycerine filled *and* with back flange, substitute last "0" for "7", ie 37/201/0 becomes 37/201/7.

NB - Bottom entry gauges would be fitted with back flange, back entry gauges would be fitted with front flange. Special products can be supplied on request, for example, customer own branding, alternative connection, range, etc.

Minimum order quantities apply. Please contact our Sales Team for further information.

## Product code matrix for glycerine filled or gauges with flange:

- Glycerine filled: substitute "0" for "5", ie 37/201/0 = 37/201/5
- Back flange gauge: substitute "0" for "6", ie 37/201/0 = 37/201/6
- Glycerine filled *and* back flange, substitute last "0" for "7", ie 37/201/0 = 37/201/7.

### 50mm Diameter stainless steel pressure gauges


Range bar & PSI	Bottom connection		Back connection	
	1/4" BSP	1/4" NPT	1/4" BSP	1/4" NPT
0 to 1	37/201/0	37/221/0	37/241/0	37/261/0
0 to 1.6	37/202/0	37/222/0	37/242/0	37/262/0
0 to 2.5	37/203/0	37/223/0	37/243/0	37/263/0
0 to 4	37/204/0	37/224/0	37/244/0	37/264/0
0 to 6	37/205/0	37/225/0	37/245/0	37/265/0
0 to 10	37/206/0	37/226/0	37/246/0	37/266/0
0 to 16	37/207/0	37/227/0	37/247/0	37/267/0
0 to 25	37/208/0	37/228/0	37/248/0	37/268/0
0 to 40	37/209/0	37/229/0	37/249/0	37/269/0
0 to 60	37/210/0	37/230/0	37/250/0	37/270/0
0 to 100	37/211/0	37/231/0	37/251/0	37/271/0
0 to 160	37/212/0	37/232/0	37/252/0	37/272/0
0 to 250	37/213/0	37/233/0	37/253/0	37/273/0
0 to 400	37/214/0	37/234/0	37/254/0	37/274/0
0 to 600	37/215/0	37/235/0	37/255/0	37/275/0
-1 to 0	37/216/0	37/236/0	37/256/0	37/276/0
-1 to 1.5	37/220/0	37/240/0	37/260/0	37/280/0
-1 to 3	37/217/0	37/237/0	37/257/0	37/277/0
-1 to 5	37/218/0	37/238/0	37/258/0	37/278/0
-1 to 9	37/219/0	37/239/0	37/259/0	37/279/0

### 63mm Diameter stainless steel pressure gauges

Range bar & PSI	Bottom connection		Back connection	
	1/4" BSP	1/4" NPT	1/4" BSP	1/4" NPT
0 to 1	37/501/0	37/521/0	37/541/0	37/561/0
0 to 1.6	37/502/0	37/522/0	37/542/0	37/562/0
0 to 2.5	37/503/0	37/523/0	37/543/0	37/563/0
0 to 4	37/504/0	37/524/0	37/544/0	37/564/0
0 to 6	37/505/0	37/525/0	37/545/0	37/565/0
0 to 10	37/506/0	37/526/0	37/546/0	37/566/0
0 to 16	37/507/0	37/527/0	37/547/0	37/567/0
0 to 25	37/508/0	37/528/0	37/548/0	37/568/0
0 to 40	37/509/0	37/529/0	37/549/0	37/569/0
0 to 60	37/510/0	37/530/0	37/550/0	37/570/0
0 to 100	37/511/0	37/531/0	37/551/0	37/571/0
0 to 160	37/512/0	37/532/0	37/552/0	37/572/0
0 to 250	37/513/0	37/533/0	37/553/0	37/573/0
0 to 400	37/514/0	37/534/0	37/554/0	37/574/0
0 to 600	37/515/0	37/535/0	37/555/0	37/575/0
-1 to 0	37/516/0	37/536/0	37/556/0	37/576/0
-1 to 1.5	37/520/0	37/540/0	37/560/0	37/580/0
-1 to 3	37/517/0	37/537/0	37/557/0	37/577/0
-1 to 5	37/518/0	37/538/0	37/558/0	37/578/0
-1 to 9	37/519/0	37/539/0	37/559/0	37/579/0

# Product data sheet

 [sales@brannan.co.uk](mailto:sales@brannan.co.uk)

 +44 (0)1946 816600

 [brannan.co.uk](http://brannan.co.uk)

## 100mm Diameter stainless steel pressure gauges

Range bar & PSI	Bottom connection		Back connection	
	1/2" BSP	1/2" NPT	1/2" BSP	1/2" NPT
0 to 1	37/801/0	37/821/0	37/841/0	37/861/0
0 to 1.6	37/802/0	37/822/0	37/842/0	37/862/0
0 to 2.5	37/803/0	37/823/0	37/843/0	37/863/0
0 to 4	37/804/0	37/824/0	37/844/0	37/864/0
0 to 6	37/805/0	37/825/0	37/845/0	37/865/0
0 to 10	37/806/0	37/826/0	37/846/0	37/866/0
0 to 16	37/807/0	37/827/0	37/847/0	37/867/0
0 to 25	37/808/0	37/828/0	37/848/0	37/868/0
0 to 40	37/809/0	37/829/0	37/849/0	37/869/0
0 to 60	37/810/0	37/830/0	37/850/0	37/870/0
0 to 100	37/811/0	37/831/0	37/851/0	37/871/0
0 to 160	37/812/0	37/832/0	37/852/0	37/872/0
0 to 250	37/813/0	37/833/0	37/853/0	37/873/0
0 to 400	37/814/0	37/834/0	37/854/0	37/874/0
0 to 600	37/815/0	37/835/0	37/855/0	37/875/0
-1 to 0	37/816/0	37/836/0	37/856/0	37/876/0
-1 to 1.5	37/820/0	37/840/0	37/860/0	37/880/0
-1 to 3	37/817/0	37/837/0	37/857/0	37/877/0
-1 to 5	37/818/0	37/838/0	37/858/0	37/878/0
-1 to 9	37/819/0	37/839/0	37/859/0	37/879/0

## Calibration product numbers:

Calibration	No of points	Product number
UKAS	5pt	49/075/0
Traceable to National Standards	5pt	49/060/0

Other calibration types available on request

## Weights: (dry gauges)

Dial diameter	Orientation	Box dimensions	Net weight	Box weight	Total weight
50mm	Bottom	76 x 64 x 33mm	88.5g	11.5g	102.0g
50mm	Back	60 x 62 x 57mm	84.5g	13.5g	98.0g
63mm	Bottom	87 x 70 x 35mm	109.5g	14.5g	126.0g
63mm	Back	62 x 71 x 71mm	105.5g	17.5g	125.0g
100mm	Bottom	131 x 118 x 40mm	366.0g	30.0g	358.0g
100mm	Back	114 x 114 x 82mm	288.0g	40.0g	330.5g

### Filled gauges:

50mm dia: add approx 40g

63mm dia: add approx 90g

100mm dia: add approx 250g

View me on  
the website

