

# Product data sheet

✉ [sales@brannan.co.uk](mailto:sales@brannan.co.uk)

☎ +44 (0)1946 816600

🌐 [brannan.co.uk](http://brannan.co.uk)

## PG030 - STAINLESS STEEL/BRASS FILLABLE PRESSURE GAUGE



### Product features:

- Water resistant and corrosion resistant, stainless steel case and brass connection
- Glycerine filling available
- Front or back flange available for panel mounting
- **Brannan** quality and accuracy
- For outdoor and high humidity installations
- Wide choice of pressure ranges and dial diameters
- Wide range of associated accessories available

### Applications:

- Pneumatics
- Heating, ventilation, air-conditioning
- Pulp and paper industry
- Pumps, compressors, hydraulic presses
- High humidity installations
- Hydraulics
- Food and beverage industry
- Machine and apparatus construction
- Outdoor installations



### Standard product specifications:

Dial diameters	40mm, 50mm, 63mm, 80mm, 100mm & 115mm
Design	BS EN 837
Safety category	100mm & 115mm: S1 (blow-out device gauge). Others: 0 (no blow-out device)
Accuracy class	40mm: 2.5%, 50mm, 63mm, 80mm & 100mm: 1.6%, 115mm: 1%
Ranges	-1 to 9 bar & psi through to 0 to 1000 bar & psi
Case	Stainless steel 304
Process connection	1/8", 1/4", 3/8" & 1/2" BSP/NPT/BSPT (others available on request)
Connection orientation	40, 50, 60 & 80mm - bottom & centre back 100mm - bottom & lower back, 115mm - bottom
Connection material	Brass
Bezel	Stainless steel 304. 50mm & 63mm dia dials: rolled bezel, 100mm dia dial: flat bezel, 115mm: bayone bezel
Measuring principle	Bourdon tube Cu-Alloy
Movement	Cu-Alloy
Window	40mm, 50mm, 63mm, 80mm & 100mm: polycarbonate (tempered glass optional) 115mm: tempered glass
Pointer	Black aluminium
Filling	Dry or glycerine filled
Working pressure	Steady: 75% full scale range Fluctuating: 60% full scale range Short time: full scale range
Operating temperature	Ambient: -20 to +60°C Medium: -20 to +60°C
Storage temperature	-40 to +60°C
Temperature effect	When temperature of the pressure element deviates from reference temperature of 20°C the maximum additional error is +/-0.4 per 10°C of the span rising and falling
Protection	IP 65
Calibration	UKAS certification, certificate traceable to recognised national standard or statement of conformity, if required

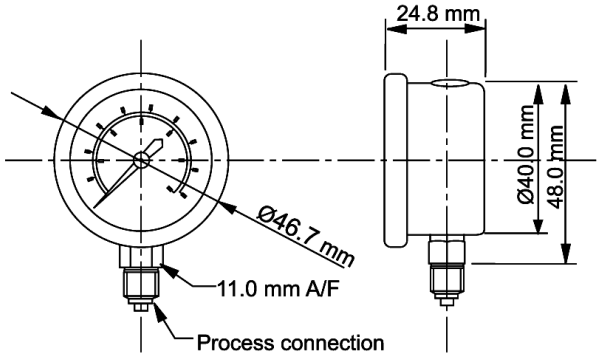
View me on  
the website



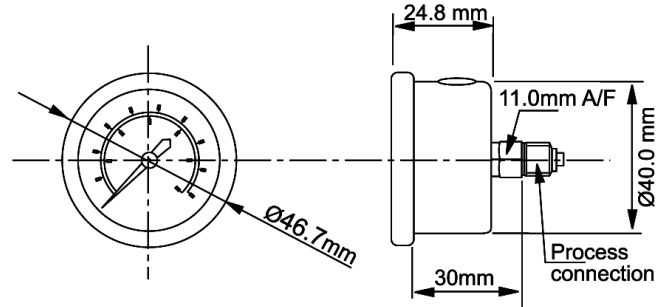
# Product data sheet

## Dimension:

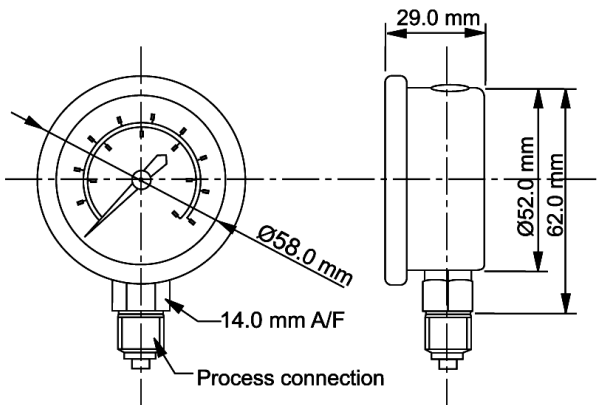
Ø40mm dial pressure gauge - bottom entry



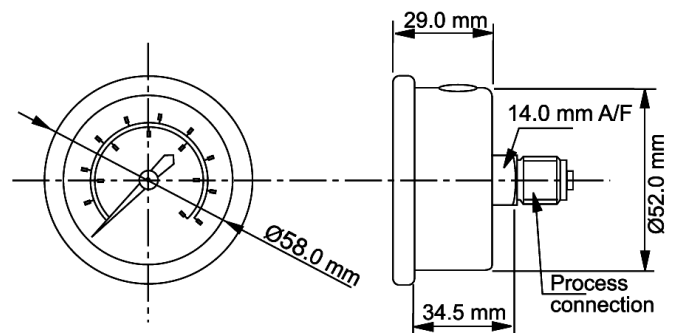
Ø40mm dial pressure gauge - back entry



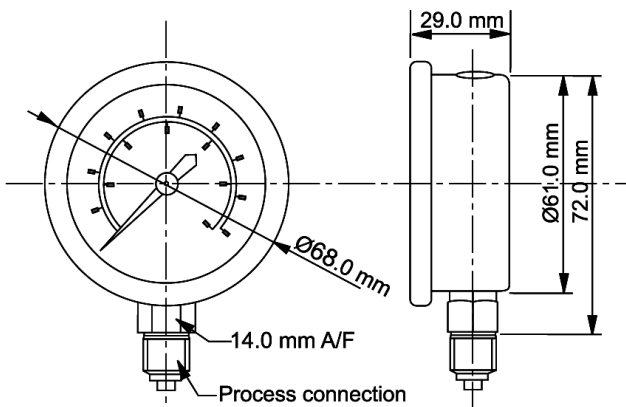
Ø50mm dial pressure gauge - bottom entry



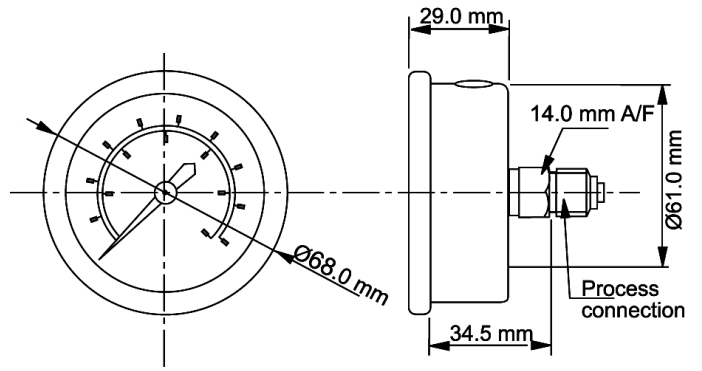
Ø50mm dial pressure gauge - back entry



Ø63mm dial pressure gauge - bottom entry



Ø63mm dial pressure gauge - back entry



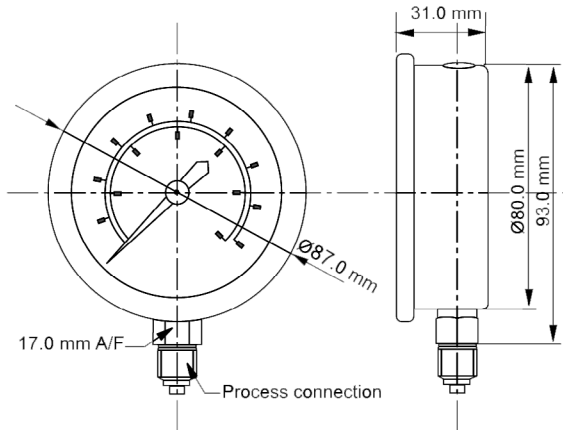
# Product data sheet

✉ [sales@brannan.co.uk](mailto:sales@brannan.co.uk)

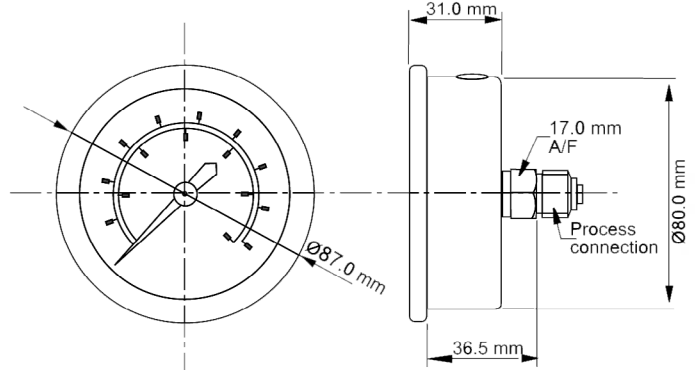
☎ +44 (0)1946 816600

🌐 [brannan.co.uk](http://brannan.co.uk)

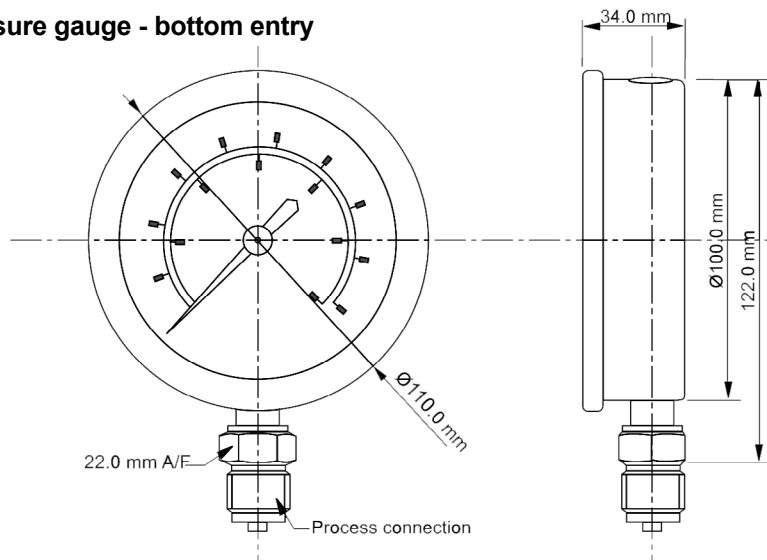
Ø80mm dial pressure gauge - bottom entry



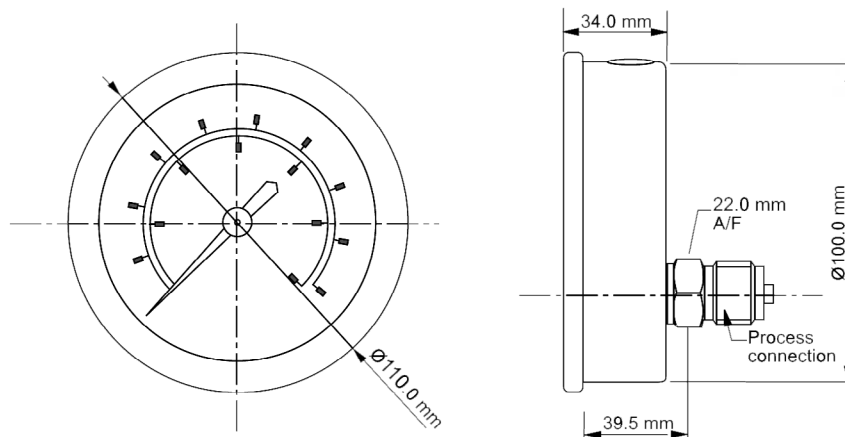
Ø80mm dial pressure gauge - back entry



Ø100mm dial pressure gauge - bottom entry



Ø100mm dial pressure gauge - back entry



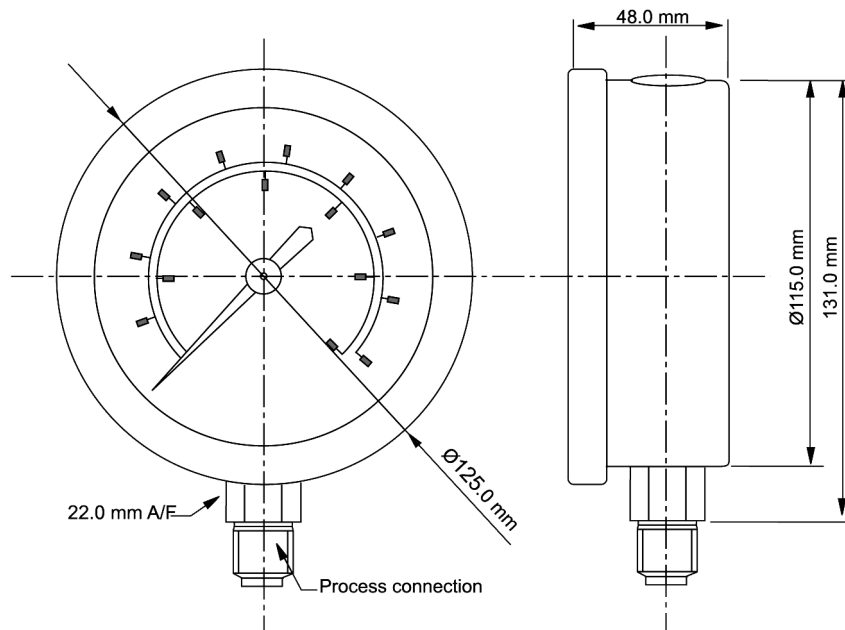
# Product data sheet

✉ [sales@brannan.co.uk](mailto:sales@brannan.co.uk)

☎ +44 (0)1946 816600

🌐 [brannan.co.uk](http://brannan.co.uk)

## Ø115mm dial pressure gauge - bottom entry



### Approx weights: (dry gauges)


Dial diameter	Orientation	Box dimensions	Net weight	Box weight	Gross weight
40mm	Bottom	75 x 60 x 32mm	50.0g	11.0g	61.0g
40mm	Back	TBC	TBC	TBC	TBC
50mm	Bottom	76 x 64 x 33mm	88.5g	11.5g	102.0g
50mm	Back	60 x 62 x 57mm	84.5g	13.5g	98.0g
63mm	Bottom	87 x 70 x 35mm	109.5g	14.5g	126.0g
63mm	Back	62 x 71 x 71mm	105.5g	17.5g	125.0g
80mm	Bottom	105 x 88 x 36mm	189.5g	12.5g	202.5g
80mm	Back	TBC	TBC	TBC	TBC
100mm	Bottom	131 x 118 x 40mm	366.0g	30.0g	358.0g
100mm	Back	114 x 114 x 82mm	288.0g	40.0g	330.5g
115mm	Bottom	150 x 128 x 50mm	610.5g	30.0g	640.5g

#### \* Filled gauges:

40mm dia: add approx 20g  
 50mm dia: add approx 40g  
 63mm dia: add approx 90g  
 80mm dia: add approx 150g  
 100mm dia: add approx 250g  
 115mm dia: add approx 447.5g

# Product data sheet

 [sales@brannan.co.uk](mailto:sales@brannan.co.uk)

 +44 (0)1946 816600

 [brannan.co.uk](http://brannan.co.uk)

## Product numbers:

The following PG030 pressure gauges are usually kept in stock at Brannan and can therefore be ordered on the below numbers. Other PG030 dials are ordered to specific customer specifications. Please use matrix overleaf to create your unique ordering product reference.

The following product numbers are bar outer scale - black, psi inner scale - red, Ø50mm, Ø63mm and Ø100mm. These products are dry gauges. For glycerine filled, please change the last digit (0) of the product code to "5". So 37/204/0 with glycerine filling becomes 37/204/5.

### Ø50mm dial pressure gauges

Range bar & psi	Bottom connection	
	1/4" BSP	1/4" NPT
0 to 4	37/204/0	37/224/0
0 to 6	37/205/0	37/225/0
0 to 10	37/206/0	37/226/0
0 to 16	37/207/0	37/227/0
0 to 25	37/208/0	37/228/0
0 to 40	37/209/0	-

### Ø63mm dial pressure gauges

Range bar & psi	Bottom connection		Back connection	
	1/4" BSP	1/4" NPT	1/4" BSP	1/4" NPT
0 to 1	37/501/0	-	37/541/0	-
0 to 1.6	37/502/0	-	-	-
0 to 2.5	37/503/0	-	-	-
0 to 4	37/504/0	37/524/0	37/544/0	37/564/0
0 to 6	37/505/0	37/525/0	37/545/0	37/565/0
0 to 10	37/506/0	37/526/0	37/546/0	37/566/0
0 to 16	37/507/0	37/527/0	37/547/0	37/567/0
0 to 25	37/508/0	37/528/0	37/548/0	37/568/0
0 to 40	37/509/0	37/529/0	37/549/0	-
0 to 60	37/510/0	37/530/0	-	-
0 to 100	-	-	37/551/0	-
0 to 160	-	-	37/552/0	-
0 to 250	37/513/0	-	-	-
0 to 400	37/514/0	-	-	-
0 to 600	37/515/0	-	-	-
-1 to 0	37/516/0	-	-	-
-1 to 3	37/517/0	-	-	-
-1 to 5	37/518/0	-	37/558/0	-
-1 to 9	37/519/0	-	-	-

### Ø100mm dial pressure gauges

Range bar & psi	Bottom connection		Back connection	
	1/2" BSP	1/2" NPT	1/2" BSP	1/2" NPT
0 to 1	37/801/0	37/821/0	-	-
0 to 1.6	37/802/0	37/822/0	-	-
0 to 2.5	37/803/0	37/823/0	-	-
0 to 4	37/804/0	37/824/0	37/844/0	37/864/0
0 to 6	37/805/0	37/825/0	37/845/0	37/865/0
0 to 10	37/806/0	37/826/0	37/846/0	37/866/0
0 to 16	37/807/0	37/827/0	37/847/0	37/867/0
0 to 25	37/808/0	37/828/0	37/848/0	37/868/0
0 to 40	37/809/0	37/829/0	37/849/0	37/869/0
0 to 60	37/810/0	37/830/0	37/850/0	37/870/0
0 to 100	37/811/0	37/831/0	37/851/0	37/871/0
0 to 160	37/812/0	37/832/0	-	-
0 to 250	37/813/0	37/833/0	37/853/0	-
0 to 400	37/814/0	37/834/0	37/854/0	-
0 to 600	37/815/0	37/835/0	37/855/0	-
-1 to 0	37/816/0	37/836/0	37/856/0	-
-1 to 1.5	-	-	37/860/0	-
-1 to 3	37/817/0	37/837/0	37/857/0	-
-1 to 5	37/818/0	37/838/0	37/858/0	-
-1 to 9	37/819/0	37/839/0	37/859/0	-

The following product numbers are psi dominant, psi outer scale - red, bar inner scale - black.

These gauges are dry or glycerine filled, Ø63mm, Ø100mm or Ø115mm

Range psi & bar	1/2" BSP bottom connection					
	Ø63mm		Ø100mm		Ø115mm	
	Dry	Gly. filled	Dry	Gly. filled	Dry	Gly. filled
0 to 160	35/285/1	35/285/5	35/305/1	35/305/5	35/325/1	35/325/5
0 to 230	35/286/1	32/286/5	35/306/1	35/306/5	35/326/1	35/326/5
0 to 300	35/287/1	35/287/5	35/307/1	35/307/5	35/327/1	35/327/5

# Product data sheet

For PG030 dials to be ordered to specific customer specifications, please use below matrix to create your unique ordering product reference, using the values in bold.

Make	Model	Dial diameter	Ranges	Units	Connection size	Connection orientation	Filling	Extras
Brannan (BRN)	PG030 (PG30)	40mm <b>(40)</b>	-1 to 9 bar <b>(-1+9)</b>	Bar only (black) <b>(B)</b>	1/8" BSP <sub>1</sub> <b>(1)</b> 1/8" NPT <sub>1</sub> <b>(2)</b>	Bottom <b>(BO)</b>	Dry - no filling <b>(D)</b>	Tempered safety glass window <b>(TG)</b>
		50mm <b>(50)</b>	-30 to 130 Hg/Psi <b>(-30+130)</b>	Psi only (black) <b>(P)</b>	1/4" BSP <b>(3)</b> 1/4" NPT <b>(4)</b>	Centre back <sub>1</sub> <b>(CB)</b>	Glycerine <b>(G)</b>	Front flange <b>(FF)</b>
		63mm <b>(63)</b>	through to	Bar outer (black) / psi inner (red) <b>(BP)</b>	3/8" BSP <sub>2</sub> <b>(5)</b> 3/8" NPT <sub>2</sub> <b>(6)</b>	Lower back <sub>2</sub> <b>(LB)</b>		Back flange <b>(BF)</b>
		80mm <b>(80)</b>	0 to 1000 bar <b>(0+1000)</b>	Psi outer (red) / bar inner (black) <b>(PB)</b>	1/2" BSP <sub>3</sub> <b>(7)</b> 1/2" NPT <sub>3</sub> <b>(8)</b>			
		100mm <b>(100)</b>	0 to 14500 Psi <b>(0+14500)</b>	kPa outer (black) / Psi inner (red) <b>(KP)</b>	1/8" BSPT <sub>1</sub> <b>(9)</b> 1/4" BSPT <b>(10)</b> 3/8" BSPT <sub>2</sub> <b>(11)</b> 1/2" BSPT <sub>3</sub> <b>(12)</b> 7/16" UNF <b>(13)</b>			
		115mm <b>(115)</b>		Psi outer (red) / kPa inner (black) <b>(PK)</b>	1. 40mm & 50mm only 2. 63mm, 80mm and 100mm only 3. 80mm & 100mm only NB. Others available on request	1. Not 100mm or 115mm 2. 100mm only		
			NB. 400 bar max for 40mm dial size	NB. Other units available on request				NB. flange not available for 40mm dial. When more than one extra is required, please separate each code with a hyphen when building your product reference

## Order example:

Make	Model	Dial diameter	Ranges	Units	Connection size	Connection orientation	Filling	Extras
<b>BRN</b>	<b>PG30</b>	<b>100</b>	<b>0+10</b>	<b>B</b>	<b>4</b>	<b>BO</b>	<b>D</b>	<b>TG-FF</b>

**Product reference:** BRNPG30/100/0+10/B/4/BO/D/TG-FF

## Calibration product numbers:

Calibration	No of points	Product number
UKAS	5pt	49/075/0
Traceable to National Standards	5pt	49/060/0

Other calibration types available on request