

Product data sheet

✉ sales@brannan.co.uk

☎ +44 (0)1946 816600

🌐 brannan.co.uk

BT040 - STAINLESS STEEL HD CASE BIMETAL THERMOMETERS



Product features:

- Thermometer with heavy duty stainless steel 304 case and bayonet style bezel
- Choice of temperature ranges, dial diameters and stem lengths
- Back entry, bottom entry or adjustable angle connections
- Recalibration screw (back connection and adjustable connection only)
- Stainless steel pockets can be supplied as extra. Use of a thermowell (pocket) is recommended when the stem would be exposed to pressure, corrosive fluid or high velocity media

Applications:

- Wide range of applications including general industrial process, ventilation, heating and air conditioning, water/wastewater.

Standard product specifications:

Dial diameters	63mm, 75mm, 100mm & 150mm
Design	BS EN 13190 / ASME B40.200 Compliant
Accuracy class	+/-2%
Ranges	-40 to +650°C&F
Case	Stainless steel AISI 304
Bezel	Stainless steel AISI 304 - bayonet
Connection	Stainless steel 304, size as requested
Stem	Stainless steel 304 (316 optional)
Stem length	min. 63mm, max. 1000mm
Stem diameter	6.3mm, 8mm, 10mm or 12mm
Sensor mechanism	Bimetal coil
Window	Glass (laminated safety glass optional)
Pointer	Black aluminium
Dial	Black numbering on white background
Filling	Dry (contact us for silicone filling option)
Protection	IP 65 (contact us for IP 67/IP68 options)
Calibration	UKAS certification, certificate traceable to recognised national standard or statement of conformity, if required

Calibration product numbers:

Calibration	No of points	Product number
UKAS	3pt	49/070/0
Traceable to National Standards	1pt	49/099/0
	3pt	49/101/0
	4pt	49/104/0
	5pt	49/105/0

View me on the website



Product data sheet

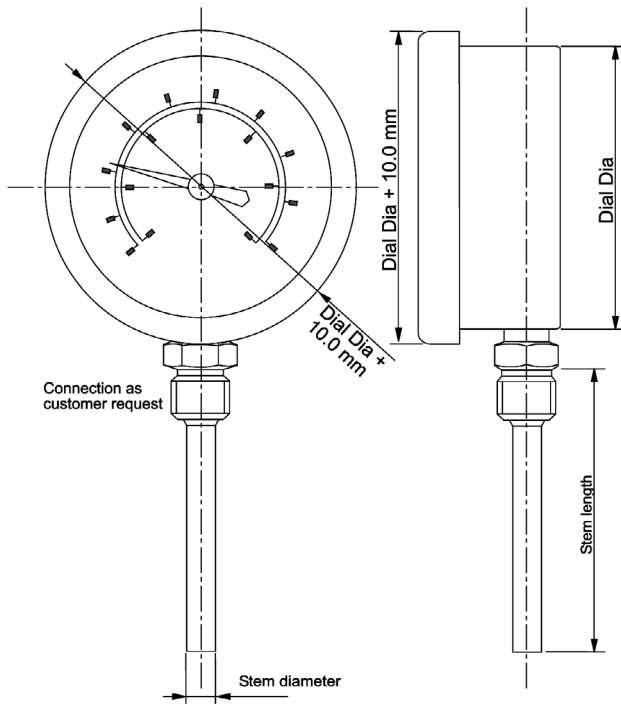
✉ sales@brannan.co.uk

☎ +44 (0)1946 816600

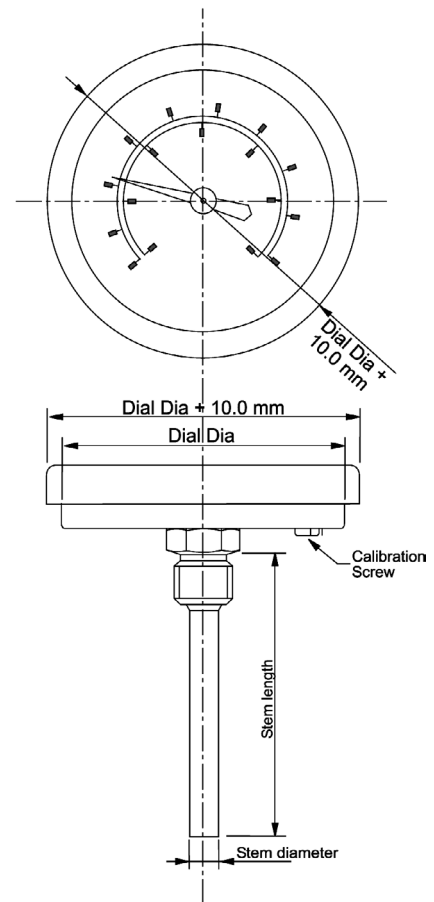
🌐 brannan.co.uk

Dimensions:

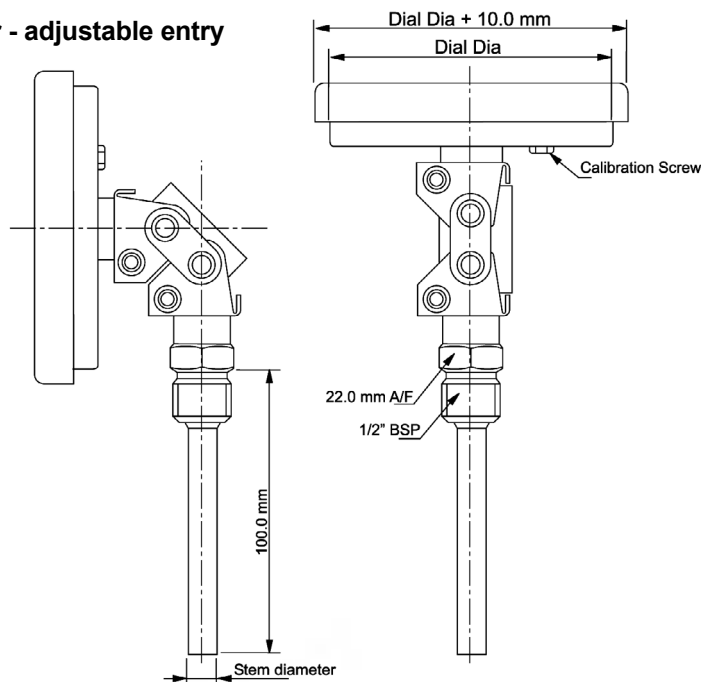
Dial thermometer - bottom entry



Dial thermometer - back entry




Dial thermometer - adjustable entry



Product data sheet

 sales@brannan.co.uk

 +44 (0)1946 816600

 brannan.co.uk

Product numbers:

All BT040 dials are ordered to specific customer specifications. Please use below matrix to create your unique ordering product reference, using the values in bold.

Make	Model	Dial diameter	Range	Units	Stem length	Stem diameter	Connection size/type	Connection orientation	Extras
Brannan (BRN)	BT040 (BT40)	63mm (63)	Celsius:	°C outer / °F inner (CF)	63mm to 100mm	6.3mm (6)	Plain stem (0)	Bottom (BO)	Laminated safety glass (LG)
			-40+60	°F outer / °C inner (FC)			Fixed 1/2" BSP (7)		
			-30+70				Fixed 1/2" NPT (8)		
			-20+60				Fixed 3/8" BSP (5)		
			-20+120				Fixed 3/8" NPT (6)		
			0+100				Fixed 1/4" BSP (3)		
		0+120	Fixed 1/4" NPT (4)						
		75mm (75)	0+150	°C only (C)	Fixed 1/4" BSPT (10)	Centre back (CB)	SS316 stem (316)		
					0+160			Fixed 3/8" BSPT (11)	
					0+200			Fixed 1/2" BSPT (12)	
					0+250			Sliding union 1/2" BSP (S7)	
					0+300			Sliding union 1/2" NPT (S8)	
					0+400			Sliding union 3/8" BSP (S5)	
		100mm (100)	0+500	°F only (F)	Sliding union 3/8" NPT (S6)	Adjustable angle (AD)	SS304 thermowell (TW304)		
					0+600			Sliding union 1/4" BSP (S3)	
					+100+550			Sliding union 1/4" NPT (S4)	
					+50+650			Sliding union 1/4" BSPT (S10)	
								Sliding union 3/8" BSPT (S11)	
								Sliding union 1/2" BSPT (S12)	
		160mm (160)	+50+750	NB. Other ranges available on request		NB. Others available on request	SS316 thermowell (TW316)		
		Fahrenheit:							
		-40+120							
		-40+160							
		0+140							
		0+200							
		0+250							
		+50+300							
		+50+400							
		+50+550							
		+150+750							
		0+800							
		+20+1000							
		+50+750							

Order example:

Make	Model	Dial diameter	Range	Units	Stem length	Stem diameter	Connection size/type	Connection orientation	Extras
BRN	BT40	100	0+120	CF	200	10	7	AD	LG,TW304

Product reference: BRNBT40/100/0+120/CF/200/10/7/AD/LG,TW304