

# XT040

✉ [sales@brannan.co.uk](mailto:sales@brannan.co.uk)

☎ +44 (0)1946 816600

🌐 [brannan.co.uk](http://brannan.co.uk)

## Premium liquid expansion dial thermometer



### Product features:

- Thermometer with stainless steel bezel and brass stem
- High quality liquid expansion measuring system
- Wide choice of temperature ranges and stem lengths
- Supplied complete with brass pocket
- For outdoor and high humidity installations
- Wide range of associated accessories available
- **Brannan** quality and accuracy

### Standard product specifications:

	XT025
<b>Standards &amp; categories</b>	
Design	BS EN 13190
<b>Dial construction</b>	
Case	304 Stainless steel
Bezel	304 Stainless steel
Connection orientation	Bottom or back
Seal	74 shore D polyurethane
Pointer	Black plastic
Sensor mechanism	Liquid expansion (Kerosene filling)
Window	Glass
Stem lengths	140mm, 200mm & 250mm
Pocket lengths	63mm, 100mm & 150mm
<b>Ranges &amp; parameters</b>	
Dial diameter	100mm (4") & 150mm (6")
Ranges	-40 to 40°C and -40 to 104°F through to 0 to 250°C and 0 to 480°F
Thread size	1/2" BSP
Accuracy class	2
Filling	Dry
Protection	IP 67
Operating temperature	0 to +40°C (higher or lower temperatures can cause indication errors)
Storage temperature	-40 to +60°C
<b>Optional extras</b>	
Calibration	Certificate traceable to recognised national standard or statement of conformity if required
Accessories	Pockets, self sealing test plugs

**Measurement for life.**

**Brannan**

# XT040

✉ sales@brannan.co.uk

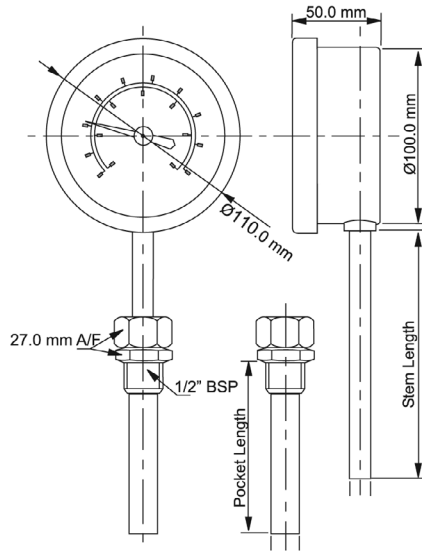
☎ +44 (0)1946 816600

🌐 brannan.co.uk

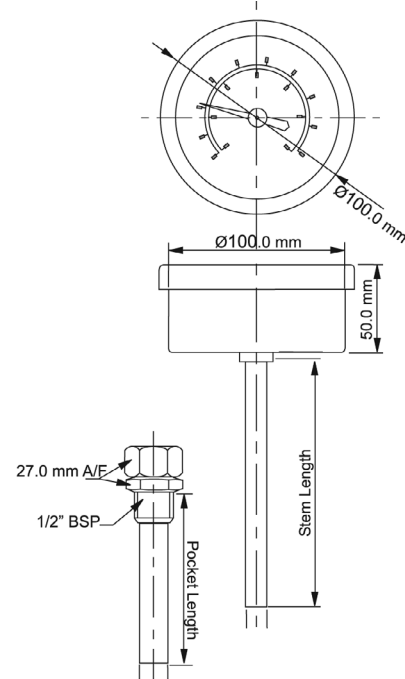
## Premium liquid expansion dial thermometer

Dimensions:

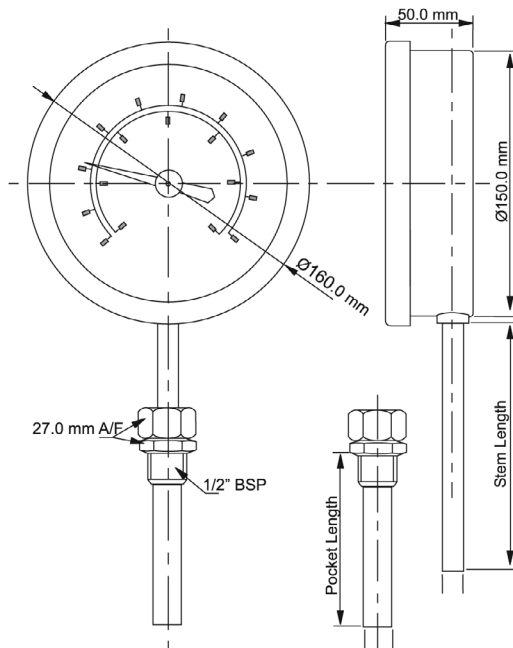
100mm Dial thermometer - bottom entry



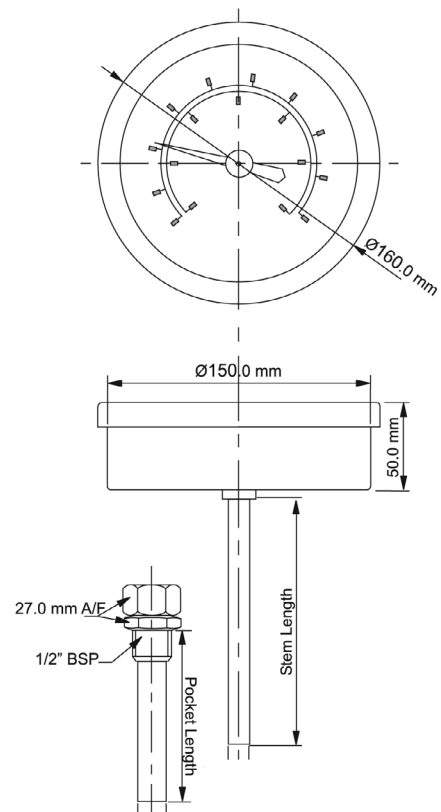
100mm Dial thermometer - back entry



150mm Dial thermometer - bottom entry



150mm Dial thermometer - back entry



Measurement for life.

Brannan

## Premium liquid expansion dial thermometer

### Standard product numbers:

The following are our standard product numbers for dial thermometers supplied complete with pocket. Special products can be supplied on request, for example, customer own branding, alternative pocket length, range, etc. Minimum order quantities apply. Please contact our Sales Team for further information.

### 100mm diameter dials - supplied with pocket:

Range	Stem(S) length / Pocket(P) length							
	Bottom entry				Back entry			
	S=140mm P=63mm	S=140mm P=100mm	S=200mm P=150mm	S=250mm P=150mm	S=140mm P=63mm	S=140mm P=100mm	S=200mm P=150mm	S=250mm P=150mm
-40 to +40°C only	300/621/0	300/641/0	300/661/0	300/681/0	301/621/0	301/641/0	301/661/0	301/681/0
-40 to +40°C&F	300/622/0	300/642/0	300/662/0	300/682/0	301/622/0	301/642/0	301/662/0	301/682/0
-20 to +60°C only	300/623/0	300/643/0	300/663/0	300/683/0	301/623/0	301/643/0	301/663/0	301/683/0
-20 to +60°C&F	300/624/0	300/644/0	300/664/0	300/684/0	301/624/0	301/644/0	301/664/0	301/684/0
0 to +120°C only	300/625/0	300/645/0	300/665/0	300/685/0	301/625/0	301/645/0	301/665/0	301/685/0
0 to +120°C&F	300/626/0	300/646/0	300/666/0	300/686/0	301/626/0	301/646/0	301/666/0	301/686/0
0 to +160°C only	300/627/0	300/647/0	300/667/0	300/687/0	301/627/0	301/647/0	301/667/0	301/687/0
0 to +160°C&F	300/628/0	300/648/0	300/668/0	300/688/0	301/628/0	301/648/0	301/668/0	301/688/0
0 to +200°C only	300/629/0	300/649/0	300/669/0	300/689/0	301/629/0	301/649/0	301/669/0	301/689/0
0 to +200°C&F	300/630/0	300/650/0	300/670/0	300/690/0	301/630/0	301/650/0	301/670/0	301/690/0
0 to +250°C only	300/631/0	300/651/0	300/671/0	300/691/0	301/631/0	301/651/0	301/671/0	301/691/0
0 to +250°C&F	300/632/0	300/652/0	300/672/0	300/692/0	301/632/0	301/652/0	301/672/0	301/692/0

### 150mm diameter dials - supplied with pocket:

Range	Stem(S) length / Pocket(P) length							
	Bottom entry				Back entry			
	S=140mm P=63mm	S=140mm P=100mm	S=200mm P=150mm	S=250mm P=150mm	S=140mm P=63mm	S=140mm P=100mm	S=200mm P=150mm	S=250mm P=150mm
-40 to +40°C only	300/921/0	300/941/0	300/961/0	300/981/0	301/921/0	301/941/0	301/961/0	301/981/0
-40 to +40°C&F	300/922/0	300/942/0	300/962/0	300/982/0	301/922/0	301/942/0	301/962/0	301/982/0
-20 to +60°C only	300/923/0	300/943/0	300/963/0	300/983/0	301/923/0	301/943/0	301/963/0	301/983/0
-20 to +60°C&F	300/924/0	300/944/0	300/964/0	300/984/0	301/924/0	301/944/0	301/964/0	301/984/0
0 to +120°C only	300/925/0	300/945/0	300/965/0	300/985/0	301/925/0	301/945/0	301/965/0	301/985/0
0 to +120°C&F	300/926/0	300/946/0	300/966/0	300/986/0	301/926/0	301/946/0	301/966/0	301/986/0
0 to +160°C only	300/927/0	300/947/0	300/967/0	300/987/0	301/927/0	301/947/0	301/967/0	301/987/0
0 to +160°C&F	300/928/0	300/948/0	300/968/0	300/988/0	301/928/0	301/948/0	301/968/0	301/988/0
0 to +200°C only	300/929/0	300/949/0	300/969/0	300/989/0	301/929/0	301/949/0	301/969/0	301/989/0
0 to +200°C&F	300/930/0	300/950/0	300/970/0	300/990/0	301/930/0	301/950/0	301/970/0	301/990/0
0 to +250°C only	300/931/0	300/951/0	300/971/0	300/991/0	301/931/0	301/951/0	301/971/0	301/991/0
0 to +250°C&F	300/932/0	300/952/0	300/972/0	300/992/0	301/932/0	301/952/0	301/972/0	301/992/0

### Net product weights (Thermometer dials - supplied with pocket):

Stem(S) length / Pocket(P) length							
100mm dia (bottom or back entry)				150mm dia (bottom or back entry)			
S=140mm P=63mm	S=140mm P=100mm	S=200mm P=150mm	S=250mm P=150mm	S=140mm P=63mm	S=140mm P=100mm	S=200mm P=150mm	S=250mm P=150mm
485g	501g	561g	568g	881g	897g	957g	964g

## Premium liquid expansion dial thermometer

### Standard product numbers:

The following are our standard product numbers for dial thermometers supplied complete with sliding union (no pocket). Special products can be supplied on request, for example, customer own branding, alternative pocket length, range, etc. Minimum order quantities apply. Please contact our Sales Team for further information.

### 100mm diameter dials - supplied with sliding union (no pocket):

Range	Bottom connection			Back connection		
	140mm Stem	200mm Stem	250mm Stem	140mm Stem	200mm Stem	250mm Stem
-40 to +40°C only	310/641/0	310/661/0	310/681/0	311/641/0	311/661/0	311/681/0
-40 to +40°C&F	310/642/0	310/662/0	310/682/0	311/642/0	311/662/0	311/682/0
-20 to +60°C only	310/643/0	310/663/0	310/683/0	311/643/0	311/663/0	311/683/0
-20 to +60°C&F	310/644/0	310/664/0	310/684/0	311/644/0	311/664/0	311/684/0
0 to +120°C only	310/645/0	310/665/0	310/685/0	311/645/0	311/665/0	311/685/0
0 to +120°C&F	310/646/0	310/666/0	310/686/0	311/646/0	311/666/0	311/686/0
0 to +160°C only	310/647/0	310/667/0	310/687/0	311/647/0	311/667/0	311/687/0
0 to +160°C&F	310/648/0	310/668/0	310/688/0	311/648/0	311/668/0	311/688/0
0 to +200°C only	310/649/0	310/669/0	310/689/0	311/649/0	311/669/0	311/689/0
0 to +200°C&F	310/650/0	310/670/0	310/690/0	311/650/0	311/670/0	311/690/0
0 to +250°C only	310/651/0	310/671/0	310/691/0	311/651/0	311/671/0	311/691/0
0 to +250°C&F	310/652/0	310/672/0	310/692/0	311/652/0	311/672/0	311/692/0

### 150mm diameter dials - supplied with sliding union (no pocket):

Range	Bottom connection			Back connection		
	140mm Stem	200mm Stem	250mm Stem	140mm Stem	200mm Stem	250mm Stem
-40 to +40°C only	310/941/0	310/961/0	310/981/0	311/941/0	311/961/0	311/981/0
-40 to +40°C&F	310/942/0	310/962/0	310/982/0	311/942/0	311/962/0	311/982/0
-20 to +60°C only	310/943/0	310/963/0	310/983/0	311/943/0	311/963/0	311/983/0
-20 to +60°C&F	310/944/0	310/964/0	310/984/0	311/944/0	311/964/0	311/984/0
0 to +120°C only	310/945/0	310/965/0	310/985/0	311/945/0	311/965/0	311/985/0
0 to +120°C&F	310/946/0	310/966/0	310/986/0	311/946/0	311/966/0	311/986/0
0 to +160°C only	310/947/0	310/967/0	310/987/0	311/947/0	311/967/0	311/987/0
0 to +160°C&F	310/948/0	310/968/0	310/988/0	311/948/0	311/968/0	311/988/0
0 to +200°C only	310/949/0	310/969/0	310/989/0	311/949/0	311/969/0	311/989/0
0 to +200°C&F	310/950/0	310/970/0	310/990/0	311/950/0	311/970/0	311/990/0
0 to +250°C only	310/951/0	310/971/0	310/991/0	311/951/0	311/971/0	311/991/0
0 to +250°C&F	310/952/0	310/972/0	310/992/0	311/952/0	311/972/0	311/992/0

### Net product weights (thermometer dials - supplied with sliding union):

Stem(S) length + sliding union					
100mm dia (bottom or back entry)			150mm dia (bottom or back entry)		
S=140mm	S=200mm	S=250mm	S=140mm	S=200mm	S=250mm
502g	536g	543g	881g	898g	939g

### Packaging:

All stainless steel expansion dial thermometers are supplied in individual box with specification label.

# XT040

✉ [sales@brannan.co.uk](mailto:sales@brannan.co.uk)

☎ +44 (0)1946 816600

🌐 [brannan.co.uk](http://brannan.co.uk)

## Premium liquid expansion dial thermometer

### APK010 - REPLACEMENT POCKETS FOR THERMOMETERS

#### Use of Thermometer Pockets

Standard pockets, nominal length up to and including 100mm, are suitable for working pressure up to 40 bar. Pockets exceeding 100mm nominal length will normally be fabricated and are only suitable for working pressure of up to 25 bar. Thermometers are normally supplied complete with pockets and should not be installed on a pressurised system without suitable pocket.

#### Product features

- Available in brass or stainless steel
- To suit stem lengths 50mm, 100mm or 150mm

#### Applications

- Heating, ventilation, air-conditioning
- Hot water
- Industrial



Connection	Supplied as standard / on special request	Material	Product numbers			
			L=63mm	L=100mm	L=130mm	L=150mm
1/2" BSP M with nut & O'ring	Standard	Stainless Steel	39/639/0	39/617/0	-	39/641/0
1/2" NPT M	Special request	Stainless steel	-	39/117/1	-	-
1/2" BSP M	Special request	Stainless steel	-	-	39/140/0	-
1/2" BSP M	Special request	Brass	39/136/0	39/127/0	39/150/0	39/151/0

#### Personalised instrumentation

As an additional service, we are able to offer full, four colour, logo print on Brannan gauges to personalise your products. Our state of the art printing process enables us to work with you to provide a branded product to enhance your instruments. This service is provided at our UK manufacturing facility and so enables a rapid turnaround (ex-stock gauges). Please contact our sales team for details.



View me on the website

