

# Product data sheet

✉ [sales@brannan.co.uk](mailto:sales@brannan.co.uk)

☎ +44 (0)1946 816600

🌐 [brannan.co.uk](http://brannan.co.uk)

## WEATHERPROOF DIGITAL MAX MIN THERMOMETER

Attractive, digital max min thermometer, uniquely designed by Brannan.  
Triple display simultaneously shows maximum, minimum and current temperature.  
Weatherproof design - suitable for indoor or outdoor use.  
Available in choice of white or green case.

### Product features:

- Brannan unique weatherproof design
- Maximum, current and minimum readings simultaneously
- High accuracy
- Clear, easy to read LCD
- Hanging hook

### Product specifications:

<b>Temperature range:</b>	-20°C to 50°C/°F (switchable)
<b>Accuracy:</b>	+/-1°C
<b>Ingress protection:</b>	IP65
<b>Display resolution:</b>	0.1°C/0.1°F
<b>Sampling rate:</b>	Every 10 seconds
<b>Battery:</b>	1pc x AAA
<b>CE &amp; RoHS/WEEE:</b>	Compliant
<b>Hazard information (SDS):</b>	See <a href="http://brannan.co.uk">brannan.co.uk</a> for information
<b>LCD dimensions:</b>	68.5mm x 50mm
<b>Product dimensions:</b>	Net: 148mm x 111mm x 33.5mm Gross: 154mm x 118mm x 43mm
<b>Product weight:</b>	Net: 116.5g (incl. battery) Card packaging: 28g box Gross: 144.5g (including 28g box)



Description	Barcode	Product no
Weatherproof digital max min - white case	5 011405 124326	12/432/3
Weatherproof digital max min - green case	5 011405 124333	12/433/3

[brannan.co.uk](http://brannan.co.uk)

Measurement for life.

Brannan

# Product data sheet

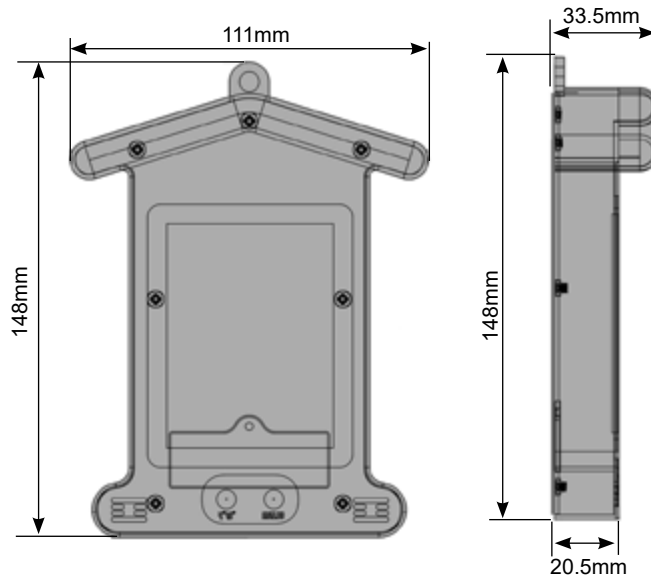
✉ [sales@brannan.co.uk](mailto:sales@brannan.co.uk)

☎ +44 (0)1946 816600

🌐 [brannan.co.uk](http://brannan.co.uk)

## WEATHERPROOF DIGITAL MAX MIN THERMOMETER (continued)

Product dimensions:



[brannan.co.uk](http://brannan.co.uk)

View me on the website



Measurement for life.

