

# Product data sheet

✉ [sales@brannan.co.uk](mailto:sales@brannan.co.uk)

☎ +44 (0)1946 816600

🌐 [brannan.co.uk](http://brannan.co.uk)

## BT055 - MAGNETIC SURFACE THERMOMETERS



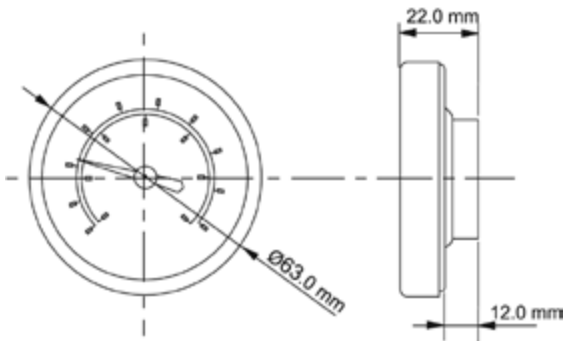
### Product features:

- Thermometer with large magnet for attaching to flat surface
- Low price and easy installation
- **Brannan** quality and accuracy
- For radiators and hot surfaces

### Standard product specifications:

Dial diameters	63mm
Design	BS EN 13190
Accuracy	+/-4°C
Ranges	-50 to +50°C&F through to 0 to +200°C&F
Case	Steel case and bezel
Window	Glass
Pointer	Black plastic
Filling	Dry
Sensor mechanism	Standard bimetal coil

### Dimensions:



### Packaging specifications:

- Packed in individual box
- Box weight: 16g
- Box dimensions: 72 x 72 x 30mm

### Standard product numbers:

Range	Product no
-50 to +50°C&F	33/411/0
0 to +120°C&F	33/409/0
0 to +200°C&F	33/410/0

View me on the website

