

Product data sheet

✉ sales@brannan.co.uk

☎ +44 (0)1946 816600

🌐 brannan.co.uk

MT010 - EXHAUST GAS THERMOMETERS



Product features:

- Silicone oil filled exhaust gas thermometer
- Vibration resistant due to high viscosity silicone oil
- Stainless steel sliding union available on request to customer choice of connection
- Wide choice of temperature ranges and stem lengths
- **Brannan** quality and accuracy
- Silicone oil protects against vibration using to ensure the maximum life under the most severe conditions
- Stainless steel pockets can be supplied as extra to customer specifications (please enquire for details)

Applications:

- Marine
- Diesel power generation

Standard product specifications:

Dial diameter	100mm
Accuracy	+/- 1.5%
Ranges	0°C to 650°C
Case	Black painted die-case aluminium
Stem length	Min: 100mm / Max: 630mm
Stem diameter	10mm, 12mm, 13mm or 16mm
Process connection	3/8", 1/2" or 3/4" BSP/NPT/BSPT sliding union
Connection orientation	Bottom
Connection material	Stainless steel 304
Stem material	Stainless steel 304
Measuring principle	Gas actuated
Window	Glass
Pointer	Black aluminium
Filling	Silicone (or dry)
Ingress protection	IP 67

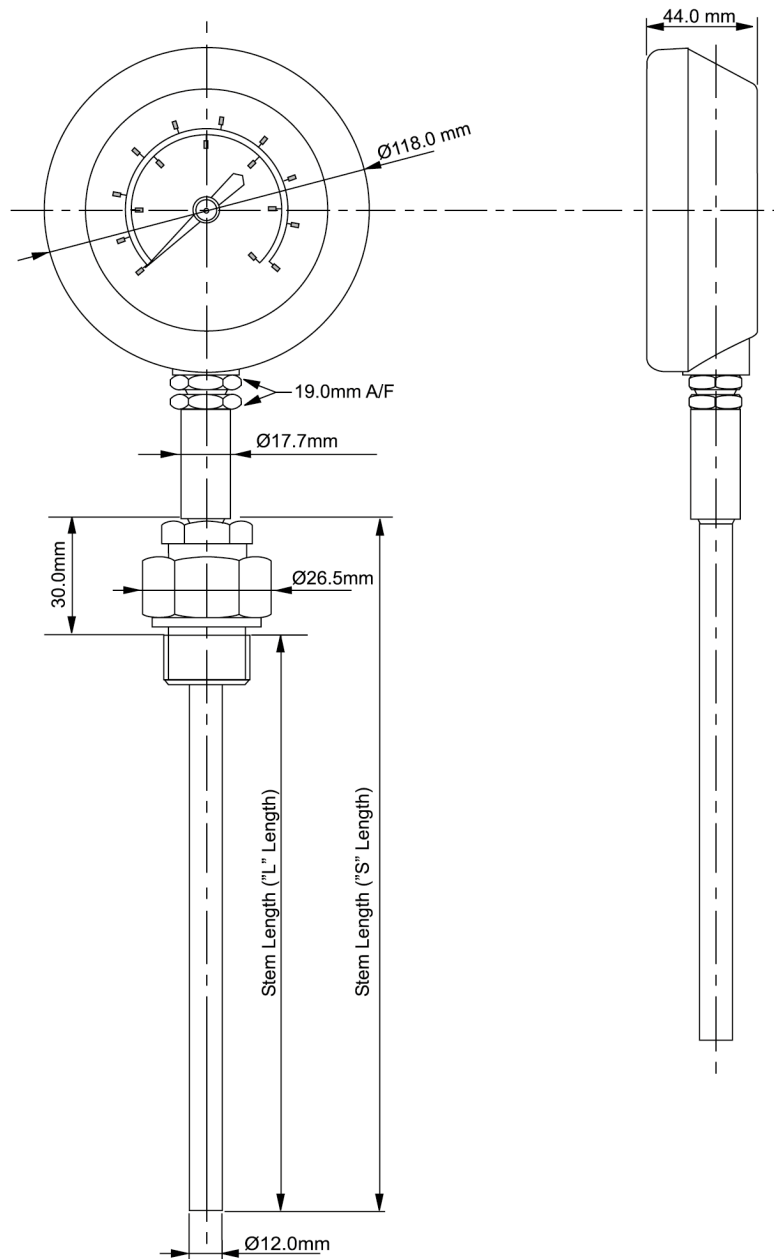
Product data sheet

✉ sales@brannan.co.uk

☎ +44 (0)1946 816600

🌐 brannan.co.uk

Product dimensions:



Weights and packaging dimensions:

(without sliding union)

Stem length (L)	Net weight	Box weight	Bubble weight	Gross weight	Gross (box) dimensions
100mm	851.0g	81.5g	2.0g	934.5g	307 x 113 x 68mm
150mm	882.0g	82.0g	2.0g	966.0g	405 x 115 x 69mm
200mm	897.0g	82.0g	2.0g	979.0g	405 x 115 x 69mm
250mm	894.5g	122.0g	2.0g	1018.0g	510 x 145 x 63mm
300mm	927.5g	122.0g	2.0g	1063.0g	510 x 145 x 63mm

Measurement for life.



Product data sheet

✉ sales@brannan.co.uk

☎ +44 (0)1946 816600

🌐 brannan.co.uk

Product numbers:

The following products are usually kept in stock at Brannan and can therefore be ordered on the below numbers:

MT010 dial thermometers - Ø12mm stem, plain stem connection
range: +50 to +650°C&F (°C outer scale - black, °F inner scale - red)

Stem length (L)	Stem length (S) (with sliding union)	Product number
100mm	130mm	93/400/0
150mm	180mm	93/400/1
200mm	230mm	93/400/2
250mm	280mm	93/400/3
300mm	330mm	93/400/4

Other MT010 dials are ordered to specific customer specifications.

Please use below matrix to create your unique ordering product reference, using the values in bold.

Make	Model	Dial diameter	Range	Units	Stem length (S)	Stem diameter	Process Connection	Filling	
Brannan (BRN)	MT010 (MT10)	100mm (100)	Celsius +50+650 0+120 0+160 0+200 0+250	°C outer / °F inner (CF)	130mm (130)	10mm (10)	Plain stem (0)	Silicone (S)	
					180mm (180)	12mm (12)			Sliding Union:
					230mm (230)	13mm (13)			3/8" BSP (S5)
					280mm (280)	16mm (16)			3/8" NPT (S6)
					330mm (330)	3/8" BSPT (S11)			
			Fahrenheit +120+1200 +30+240 +30+320 +30+400 +30+500	°F outer / °C inner (FC)	430mm (430)	1/2" BSP (S7)	Dry – no filling (D)		
					480mm (480)	1/2" NPT (S8)			
					530mm (530)	1/2" BSPT (S12)			
					580mm (580)	3/4" BSP (S14)			
					630mm (630)	3/4" NPT (S15)			
NB. Other ranges available on request			NB. Other stem lengths available on request						

Order example:

Make	Model	Dial diameter	Range	Units	Stem length (S)	Stem diameter	Process Connection	Filling
BRN	MT10	100	0+160	CF	180	10	0	D

Product reference: BRNMT0/100/0+160/CF/180/10/0/D



Sliding unions kept in stock
 (to suit 12mm stems diameter)

Material	Connection	Net weight	Product number
Steel steel 304	1/2" BSP	93g	39/437/0
	3/4" BSP	122.5g	39/438/0

Calibration product numbers:

Calibration	Number of points	Product number
UKAS	3pt	49/070/0
	1pt	49/099/0
Traceable to national standards	3pt	49/101/0
	4pt	49/104/0
	5pt	49/105/0