

# PG035

✉ [sales@brannan.co.uk](mailto:sales@brannan.co.uk)

☎ +44 (0)1946 816600

🌐 [brannan.co.uk](http://brannan.co.uk)

## Contractor pressure gauge



### Product features:

- Stainless steel pressure gauge with bezel
- 1% accuracy
- Wide choice of pressure ranges
- Ideal for plumbing and HVAC installations
- Wide range of associated accessories available
- **Brannan** quality and accuracy

### Applications:

- Heating, ventilation, air-conditioning
- Plumbing
- Compressors
- Air filters
- Pneumatics

### Standard product specifications:

Standards & categories	
Design	ASME B40.100
Safety category	0 - gauge without blow-out device ( according to EN-837)
Gauge construction	
Case	Stainless steel 304
Connection orientation	Bottom only
Connection material	Brass
Bezel	Stainless steel 304
Pointer	Black aluminium
Measuring principle	Bourdon tube phosphor bronze
Movement	Cu-Alloy
Window	Polycarbonate (glass optional)
Ranges & parameters	
Dial diameter	115mm (4.5")
Ranges	-1 to 9 bar & -15 to 130 psi through to 0 to 14500 bar & 0 to 210304 psi
Thread size	3/8", 1/4" & 1/2" BSP/NPT/BSPT (others available on request)
Accuracy class	+/-1%, ASME Grade 1A
Filling	Dry
Working pressure	Steady: 75% full scale range, fluctuating: 60% full scale range, short time: full scale range
Operating temperature	Ambient: -20 to +60°C, Medium: -20 to +60°C
Storage temperature	-40 to +60°C
Protection	IP 43 (BS EN 60529:1992)
Temperature effect	When temperature of the pressure element deviates from reference temperature of 20°C the maximum additional error is +/-0.4 per 10°C of the span rising and falling
Optional extras	
Calibration	UKAS certification, certificate traceable to recognised national standard or statement of conformity
Accessories	Syphon, needle valve, gauge cock, snubber

View me on  
the website



**Measurement for life.**



# PG035

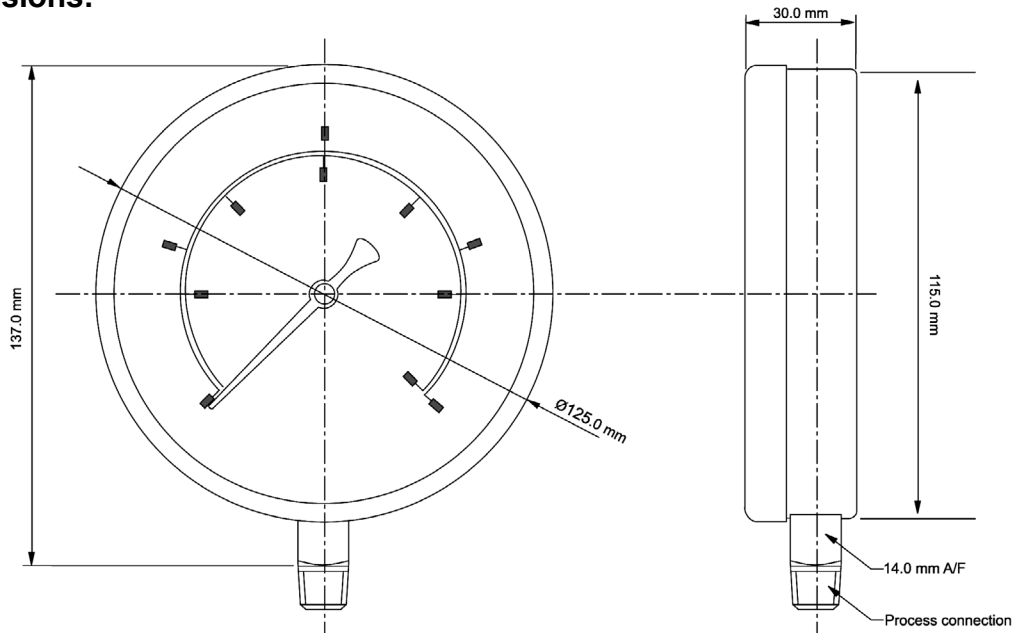
✉ [sales@brannan.co.uk](mailto:sales@brannan.co.uk)

☎ +44 (0)1946 816600

🌐 [brannan.co.uk](http://brannan.co.uk)

## Contractor pressure gauge

### Product dimensions:



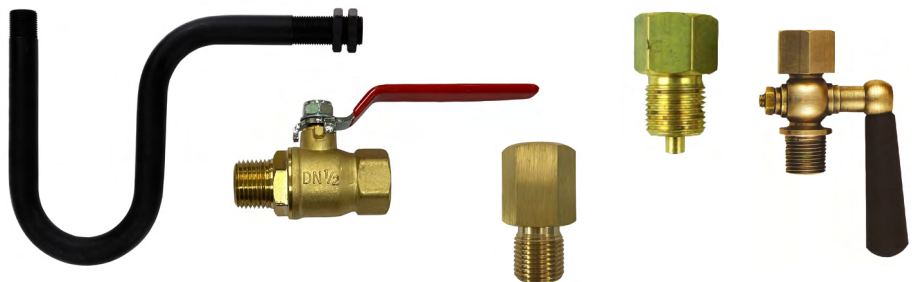
### Approx product weights:

Dial diameter	Orientation	Box dimensions	Net weight	Box weight	Total weight
125mm	Bottom	150 x 130 x 38mm	299.5g	32.5g	334g

### Product accessories:

Please see accessories section of this catalogue for associated items for use with these gauges.

- Syphons
- Ball valves
- Adaptors
- Snubbers
- Gauge cocks



Measurement for life.

Brannan

## Contractor pressure gauge

### Product numbers:

The following products are usually kept in stock at Brannan and can therefore be ordered on the below numbers:

### PG035 pressure gauges (psi outer scale - red, bar inner scale - black)

Range (psi dominant)	Product number		
	1/2" BSP		1/4" NPT
	Plastic window	Glass window	Plastic window
0 to 100 psi & bar	35/793/1	35/793/8	35/793/0
0 to 160 psi & bar	35/355/1	35/355/8	35/794/0
0 to 200 psi & bar	35/795/1	35/795/8	35/795/0
0 to 230 psi & bar	35/356/1	35/356/8	35/356/0
0 to 300 psi & bar	35/357/1	35/357/8	35/796/0
0 to 400 psi & bar	35/797/1	35/797/8	35/797/0

Other PG035 dials are ordered to specific customer specifications.

Please use below matrix to create your unique ordering product reference, using the values in bold.

Make	Model	Dial diameter	Ranges	Units	Connection size	Connection orientation	Extras
Brannan (BRN)	PG035 (PG35)	115mm (115)	-1 to 9 bar (-1+9) -30 to 130 Hg/Psi (-30+130)  through to 0 to 1000 bar (0+1000) 0 to 14500 Psi (0+14500)	Bar only (black) (B)  Psi only (black) (P)  Bar outer (black) / psi inner (red) (BP)  Psi outer (red) / bar inner (black) (PB)  kPa outer (black) / Psi inner (red) (KP)  Psi outer (red) / kPa inner (black) (PK)	1/4" BSP (3) 1/4" NPT (4) 3/8" BSP <sub>1</sub> (5) 3/8" NPT <sub>1</sub> (6) 1/2" BSP <sub>1</sub> (7) 1/2" NPT <sub>1</sub> (8) 1/4" BSPT (10) 3/8" BSPT <sub>1</sub> (11) 1/2" BSPT <sub>1</sub> (12)	Bottom (BO)	Glass window (G)

1. Using adaptor  
NB. Others available on request

### Order example:

Make	Model	Dial diameter	Ranges	Units	Connection size	Connection orientation	Extras
BRN	PG35	100	0+9	B	7	BO	G

Product reference: BRNPG35/100/0+9/B/7/BO/G

### Calibration product numbers:

Calibration	No of points	Product number
UKAS	5pt	49/075/0
Traceable to National Standards	5pt	49/060/0

Other calibration types available on request

REV1.2026