

XT025

Commercial remote reading dial thermometer



Product features:

- Thermometer with stainless steel bezel and capillary stem
- High quality liquid expansion measuring system
- 150mm dials with back flange for surface mounting and 100mm dials with choice of back flange or front flange for panel mounting.
- Plastic coated bronze capillary
- Supplied complete with brass pocket
- For dry indoor installations
- Wide range of associated accessories available
- **Brannan** quality and accuracy

Applications:

- Heating
- Air conditioning
- Refrigeration
- Ventilation

Standard product specifications:

Standards & categories		XT025
Design		BS EN 13190
Dial construction		
Case		Black steel
Bezel		304 Stainless steel (front flange material: chrome mild steel)
Connection orientation		Bottom connection with back flange or back connection with front flange
Pointer		Black plastic
Sensor mechanism		Liquid expansion (Kerosene filling)
Window		PMMA
Capillary lengths		1.5m, 3m & 5m
Stem lengths		75mm, 150mm & 200mm
Pocket lengths		50mm, 100mm & 150mm Brass (SS 304 or SS316 available on request)
Ranges & parameters		
Dial diameter		100mm (4") & 150mm (6")
Ranges		-20 to 60°C and -4 to 140°F through to 0 to 120°C and 32 to 250°F
Thread size		1/2" BSP
Accuracy class		2
Filling		Dry
Protection		IP 54 (BS EN 60529:1992)
Operating temperature		0 to +40°C (higher or lower temperatures can cause indication errors)
Storage temperature		-40 to +60°C
Optional extras		
Calibration		Certificate traceable to recognised national standard or statement of conformity if required
Accessories		Pockets, self sealing test plugs

XT025

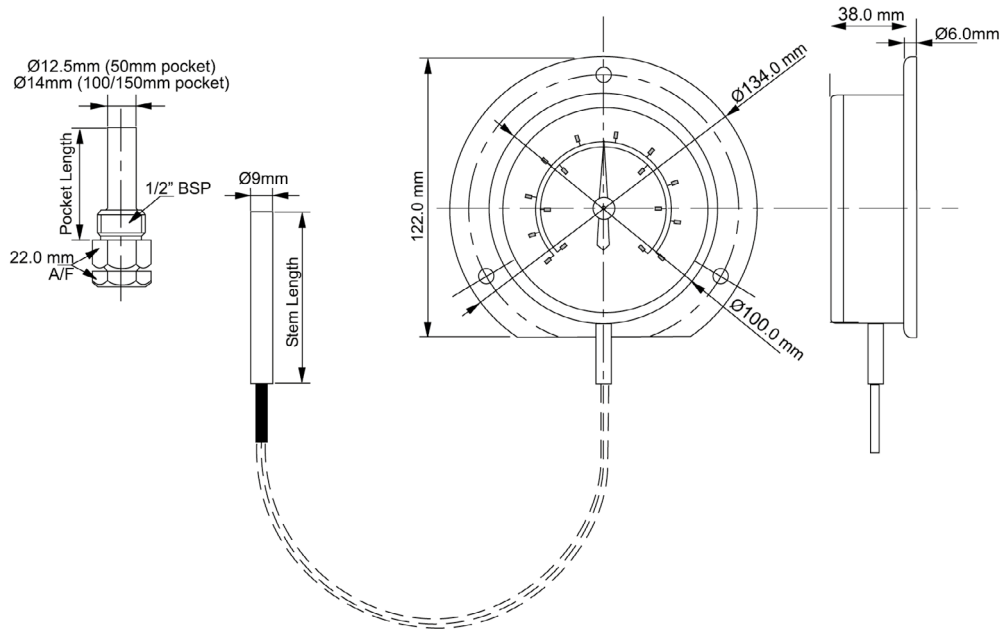
✉ sales@brannan.co.uk

☎ +44 (0)1946 816600

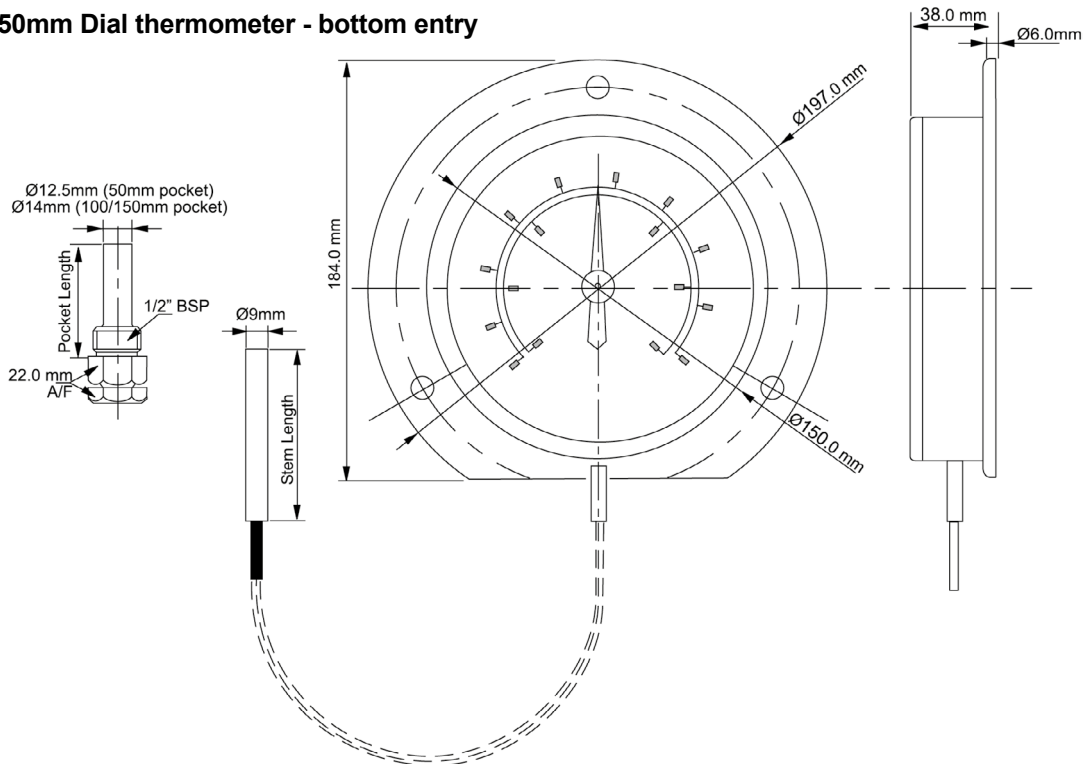
🌐 brannan.co.uk

Commercial remote reading dial thermometer

Dimensions: 100mm Dial thermometer - bottom entry



Dimensions: 150mm Dial thermometer - bottom entry



XT025

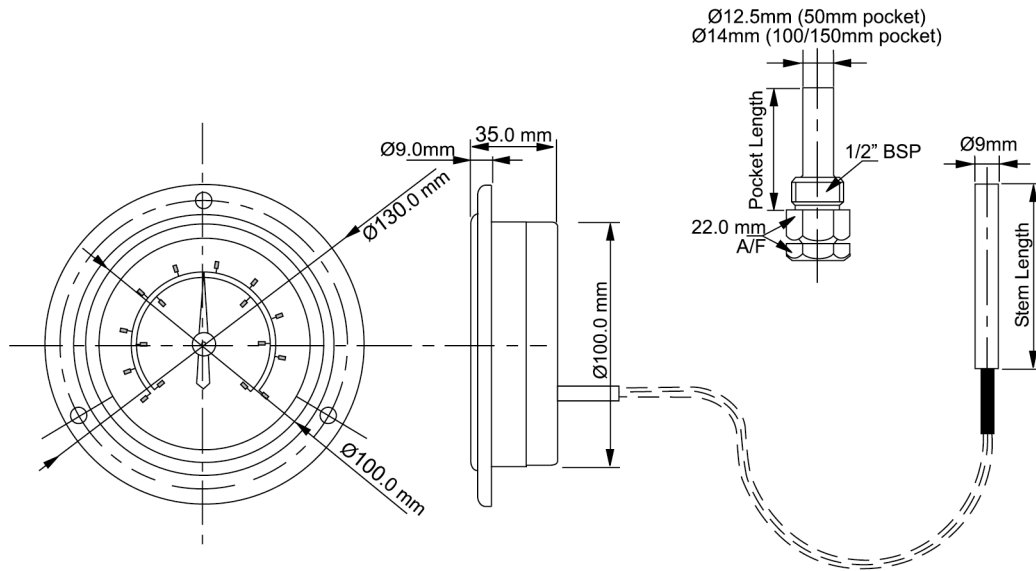
✉ sales@brannan.co.uk

☎ +44 (0)1946 816600

🌐 brannan.co.uk

Commercial remote reading dial thermometer

Dimensions: 100mm Dial thermometer - back entry



Commercial remote reading dial thermometer

Standard product numbers:

The following are our standard product numbers. Special products can be supplied on request, for example, customer own branding, alternative connection, range, etc. Minimum order quantities apply. Please contact our Sales Team for further information.

Ø100mm dials - bottom entry (with back flange):

Range	1.5m Capillary			3m Capillary			5m Capillary		
	75mm stem/ 50mm pocket	150mm stem/ 100mm pocket	200mm stem/ 150mm pocket	75mm stem/ 50mm pocket	150mm stem/ 100mm pocket	200mm stem/ 150mm pocket	75mm Stem/ 50mm pocket	150mm stem/ 100mm pocket	200mm stem/ 150mm pocket
-40 to +40°C only	91/621/0	91/621/1	91/621/2	91/631/0	91/631/1	91/631/2	91/651/0	91/651/1	91/651/2
-20 to +60°C&F	91/624/0	91/624/1	91/624/2	91/634/0	91/634/1	91/634/2	91/654/0	91/654/1	91/654/2
0 to +120°C&F	91/626/0	91/626/1	91/626/2	91/636/0	91/636/1	91/636/2	91/656/0	91/656/1	91/656/2

Ø150mm dials - bottom entry (with back flange):

Range	1.5m Capillary			3m Capillary			5m Capillary		
	75mm stem/ 50mm pocket	150mm stem/ 100mm pocket	200mm stem/ 150mm pocket	75mm stem/ 50mm pocket	150mm stem/ 100mm pocket	200mm stem/ 150mm pocket	75mm Stem/ 50mm pocket	150mm stem/ 100mm pocket	200mm stem/ 150mm pocket
-40 to +40°C only	91/921/0	91/921/1	91/921/2	91/931/0	91/931/1	91/931/2	91/951/0	91/951/1	91/951/2
-20 to +60°C&F	91/924/0	91/924/1	91/924/2	91/934/0	91/934/1	91/934/2	91/954/0	91/954/1	91/954/2
0 to +120°C&F	91/926/0	91/926/1	91/926/2	91/936/0	91/936/1	91/936/2	91/956/0	91/956/1	91/956/2

Ø100mm dials - back entry (with front flange):

Range	1.5m Capillary			3m Capillary			5m Capillary		
	75mm stem/ 50mm pocket	150mm stem/ 100mm pocket	200mm stem/ 150mm pocket	75mm stem/ 50mm pocket	150mm stem/ 100mm pocket	200mm stem/ 150mm pocket	75mm Stem/ 50mm pocket	150mm stem/ 100mm pocket	200mm stem/ 150mm pocket
-40 to +40°C only	92/621/0	92/621/1	92/621/2	92/631/0	92/631/1	92/631/2	92/651/0	92/651/1	92/651/2
-20 to +60°C&F	92/624/0	92/624/1	92/624/2	92/634/0	92/634/1	92/634/2	92/654/0	92/654/1	92/654/2
0 to +120°C&F	92/626/0	92/626/1	92/626/2	92/636/0	92/636/1	92/636/2	92/656/0	92/656/1	92/656/2

Calibration product numbers:

Calibration	No of points	Product number
Traceable to National Standards	1pt	49/099/0
	3pt	49/101/0
	4pt	49/104/0
	5pt	49/105/0

Weights and packaging dimensions on request

XT025

✉ sales@brannan.co.uk

☎ +44 (0)1946 816600

🌐 brannan.co.uk

Commercial remote reading dial thermometer

APK010 - REPLACEMENT POCKETS FOR THERMOMETERS

Use of Thermometer Pockets

Standard pockets, nominal length up to and including 100mm, are suitable for working pressure up to 40 bar. Pockets exceeding 100mm nominal length will normally be fabricated and are only suitable for working pressure of up to 25 bar. Thermometers are normally supplied complete with pockets and should not be installed on a pressurised system without suitable pocket.



Product features

- Available in brass or stainless steel
- To suit stem lengths 50mm, 100mm or 150mm

Applications

- Heating, ventilation, air-conditioning
- Hot water
- Industrial

Connection	Supplied as standard / on special request	Material	Product numbers			
			L=50mm	L=100mm	L=150mm	L=250mm
1/2" BSP M with nut & O'ring	Standard	Brass	39/621/0	39/622/0	39/623/0	-
1/2" BSP M	Special request	Stainless steel	39/111/0	39/112/0	39/113/0	-
3/8" BSP M	Special request	Brass	39/121/1	-	-	-
1/2" BSP M	Special request	Brass	-	39/160/0*	39/161/0**	39123/1

* 50mm + 50mm extension

** 100mm + 50mm extension

Personalised instrumentation

As an additional service, we are able to offer full, four colour, logo print on Brannan gauges to personalise your products. Our state of the art printing process enables us to work with you to provide a branded product to enhance your instruments. This service is provided at our UK manufacturing facility and so enables a rapid turnaround (ex-stock gauges). Please contact our sales team for details.



View me on the website



REV0.2026