

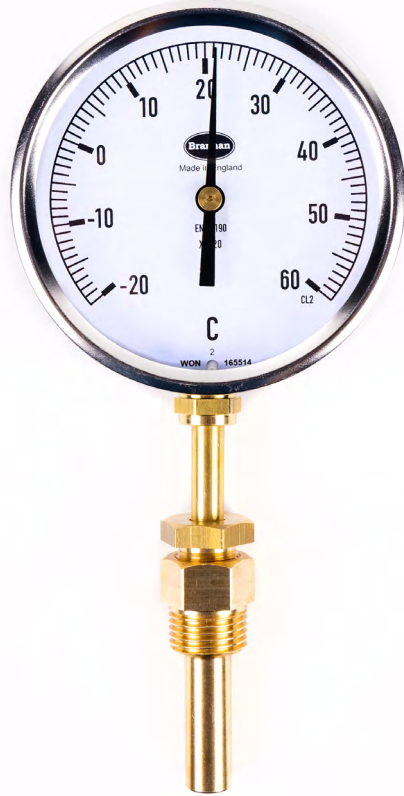
XT020

✉ sales@brannan.co.uk

☎ +44 (0)1946 816600

🌐 brannan.co.uk

Commercial liquid expansion dial thermometer



Product features:

- Thermometer with stainless steel bezel and brass stem
- High quality liquid expansion measuring system
- Wide choice of temperature ranges and stem lengths
- Supplied complete with brass pocket
- For dry indoor installations
- Wide range of associated accessories available
- **Brannan** quality and accuracy

Applications:

- Heating
- Air conditioning
- Refrigeration
- Ventilation

Standard product specifications:

	XT020
Standards & categories	
Design	BS EN 13190
Dial construction	
Case	Black steel
Bezel	304 Stainless steel
Connection orientation	Bottom or back
Pocket material	Brass (SS 304 or SS316 available on request)
Pointer	Black plastic
Sensor mechanism	Liquid expansion (Kerosene filling)
Window	PMMA
Stem lengths	100mm, 150mm & 200mm
Pocket lengths	50mm, 100mm & 150mm
Lagging extensions	50mm (100mm lagging extension available on request)
Ranges & parameters	
Dial diameter	100mm (4") & 150mm (6")
Ranges	-20 to 60°C and -4 to 140°F through to 0 to 200°C and 32 to 390°F (0 to +250°C only)
Thread size	1/2" BSP
Accuracy class	2
Filling	Dry
Protection	IP 54 (BS EN 60529:1992)
Operating temperature	0 to +40°C (higher or lower temperatures can cause indication errors)
Storage temperature	-40 to +60°C
Optional extras	
Calibration	Certificate traceable to recognised national standard or statement of conformity if required
Accessories	Pockets, self sealing test plugs

XT020

✉ sales@brannan.co.uk

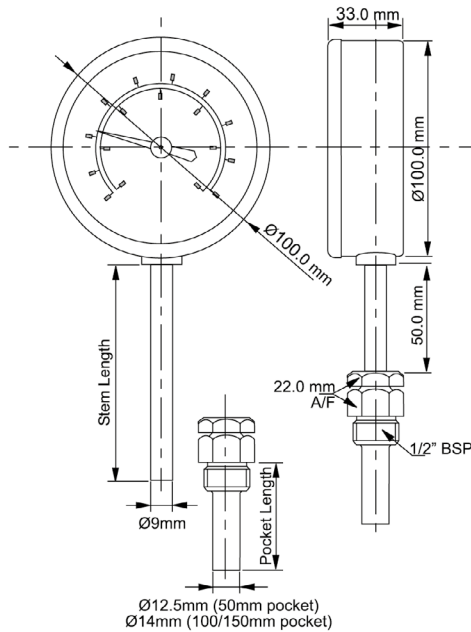
☎ +44 (0)1946 816600

🌐 brannan.co.uk

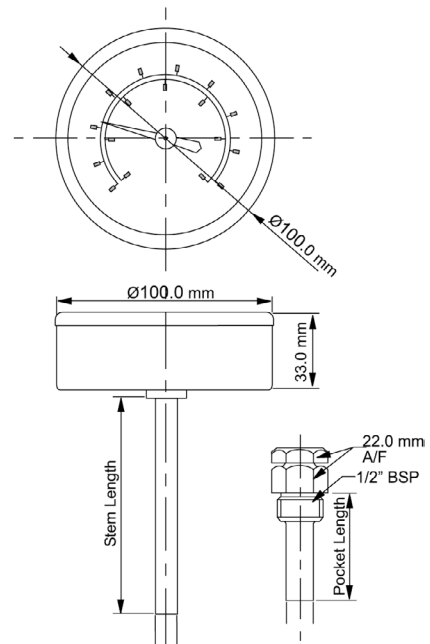
Commercial liquid expansion dial thermometer

Dimensions:

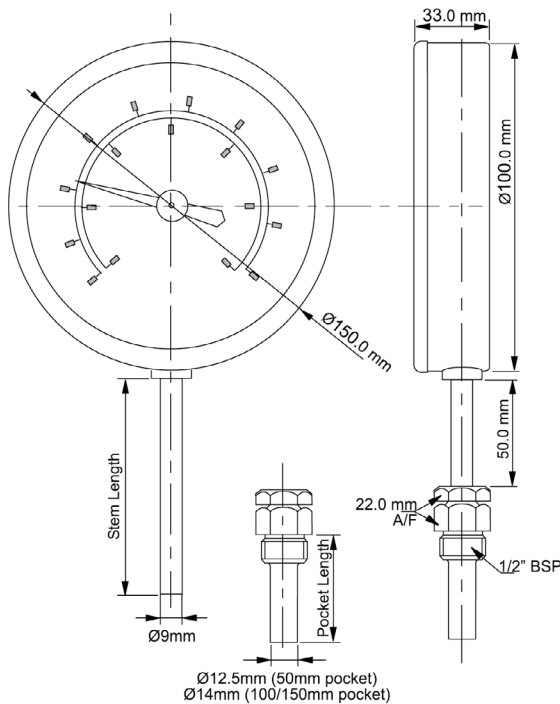
100mm dial thermometer - bottom entry



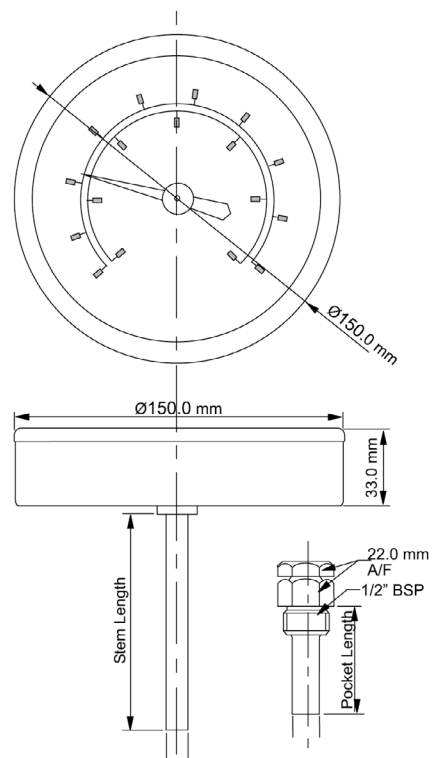
100mm dial thermometer - back entry



150mm dial thermometer - bottom entry



150mm dial thermometer - back entry



Commercial liquid expansion dial thermometer

Standard Product Numbers:

The following are our standard product numbers. Special products can be supplied on request, for example, customer own branding, alternative connection, range, etc. Minimum order quantities apply. Please contact our Sales Team for further information.

Range	100mm Diameter product numbers					
	Bottom connection			Back connection		
	100mm Stem 50mm Pocket	150mm Stem 100mm Pocket	200mm Stem 150mm Pocket	100mm Stem 50mm Pocket	150mm Stem 100mm Pocket	200mm Stem 150mm Pocket
-40 to +40°C only	97/621/0	97/641/0	97/661/0	96/621/0	96/641/0	96/661/0
-40 to +40°C&F	97/622/0	97/642/0	97/662/0	96/622/0	96/642/0	96/662/0
-20 to +60°C only	97/623/0	97/643/0	97/663/0	96/623/0	96/643/0	96/663/0
-20 to +60°C&F	97/624/0	97/644/0	97/664/0	96/624/0	96/644/0	96/664/0
0 to +120°C only	97/625/0	97/645/0	97/665/0	96/625/0	96/645/0	96/665/0
0 to +120°C&F	97/626/0	97/646/0	97/666/0	96/626/0	96/646/0	96/666/0
0 to +160°C only	97/627/0	97/647/0	97/667/0	96/627/0	96/647/0	96/667/0
0 to +160°C&F	97/628/0	97/648/0	97/668/0	96/628/0	96/648/0	96/668/0
0 to +200°C&F	97/630/0	97/650/0	97/671/0	96/630/0	96/650/0	96/670/0
0 to +250°C only	97/629/0	97/649/0	97/670/0	96/629/0	96/649/0	96/669/0

Range	150mm Diameter product numbers					
	Bottom connection			Back connection		
	100mm Stem 50mm Pocket	150mm Stem 100mm Pocket	200mm Stem 150mm Pocket	100mm Stem 50mm Pocket	150mm Stem 100mm Pocket	200mm Stem 150mm Pocket
-40 to +40°C only	97/921/0	97/941/0	97/961/0	96/921/0	96/941/0	96/961/0
-40 to +40°C&F	97/922/0	97/942/0	97/962/0	96/922/0	96/942/0	96/962/0
-20 to +60°C only	97/923/0	97/943/0	97/963/0	96/923/0	96/943/0	96/963/0
-20 to +60°C&F	97/924/0	97/944/0	97/964/0	96/924/0	96/944/0	96/964/0
0 to +120°C only	97/925/0	97/945/0	97/965/0	96/925/0	96/945/0	96/965/0
0 to +120°C&F	97/926/0	97/946/0	97/966/0	96/926/0	96/946/0	96/966/0
0 to +160°C only	97/927/0	97/947/0	97/967/0	96/927/0	96/947/0	96/967/0
0 to +160°C&F	97/928/0	97/948/0	97/968/0	96/928/0	96/948/0	96/968/0
0 to +200°C&F	97/929/0	97/949/0	97/969/0	96/929/0	96/949/0	96/969/0
0 to +250°C only	97/930/0	97/950/0	97/970/0	96/930/0	96/950/0	96/970/0

Calibration product numbers:

Calibration	No of points	Product number
Traceable to National Standards	1pt	49/099/0
	3pt	49/101/0
	4pt	49/104/0
	5pt	49/105/0

Weights and packaging dimensions on request

XT020

✉ sales@brannan.co.uk

☎ +44 (0)1946 816600

🌐 brannan.co.uk

Commercial liquid expansion dial thermometer

APK010 - REPLACEMENT POCKETS FOR THERMOMETERS

Use of Thermometer Pockets

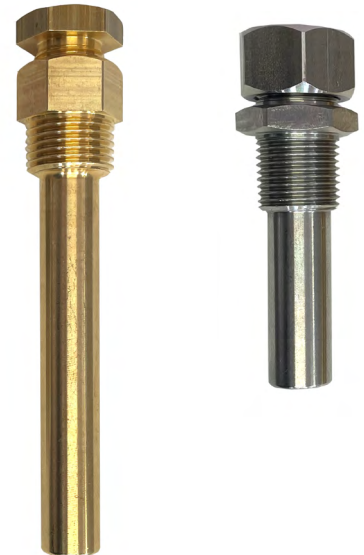
Standard pockets, nominal length up to and including 100mm, are suitable for working pressure up to 40 bar. Pockets exceeding 100mm nominal length will normally be fabricated and are only suitable for working pressure of up to 25 bar. Thermometers are normally supplied complete with pockets and should not be installed on a pressurised system without suitable pocket.

Product features

- Available in brass or stainless steel
- To suit stem lengths 50mm, 100mm or 150mm

Applications

- Heating, ventilation, air-conditioning
- Hot water
- Industrial



Connection	Supplied as standard / on special request	Material	Product numbers			
			L=50mm	L=100mm	L=150mm	L=250mm
1/2" BSP M with nut & O'ring	Standard	Brass	39/621/0	39/622/0	39/623/0	-
1/2" BSP M	Special request	Stainless steel	39/111/0	39/112/0	39/113/0	-
3/8" BSP M	Special request	Brass	39/121/1	-	-	-
1/2" BSP M	Special request	Brass	-	39/160/0*	39/161/0**	39123/1

* 50mm + 50mm extension

** 100mm + 50mm extension

Personalised instrumentation

As an additional service, we are able to offer full, four colour, logo print on Brannan gauges to personalise your products. Our state of the art printing process enables us to work with you to provide a branded product to enhance your instruments. This service is provided at our UK manufacturing facility and so enables a rapid turnaround (ex-stock gauges). Please contact our sales team for details.



View me on the website



REV0.2026