

# Product data sheet

✉ [sales@brannan.co.uk](mailto:sales@brannan.co.uk)

☎ +44 (0)1946 816600

🌐 [brannan.co.uk](http://brannan.co.uk)

## CG010 - COMBINED GAUGE



### Features:

- Low cost solution for temperature and pressure or temperature and altitude measurement
- Supplied with self-sealing brass pocket
- **Brannan** quality and accuracy
- For indoor installations

### Standard product specifications:

<b>Dial Diameter</b>	80mm
<b>Temp/Pressure Range</b>	0 to +120°C only / 0 to 6 bar only
<b>Temp/Altitude Range</b>	0 to +120°C only and 0 to 30 or 45 metres
<b>Case</b>	Black steel
<b>Window</b>	Clear plastic, snap fit
<b>Bezel</b>	Chrome
<b>Connection</b>	1/2" BSP bottom or back
<b>Pocket</b>	Self-sealing brass
<b>Sensor Mechanism</b>	Bimetal coil, copper alloy bourdon
<b>Pointer</b>	Black aluminium with loose red pointer
<b>Filling</b>	Dry
<b>Working Pressure</b>	Steady: 75% full scale range Fluctuating: 60% full scale range Short Time: full scale range
<b>Operating Temperature</b>	Ambient: -20 to +60°C Medium: -20 to +60°C
<b>Storage Temperature</b>	-40 to +60°C
<b>Temperature Effect</b>	When temperature of the pressure element deviates from reference temperature of 20°C the maximum additional error is +/-0.4 per 10°C of the span rising and falling

# Product data sheet

✉ [sales@brannan.co.uk](mailto:sales@brannan.co.uk)

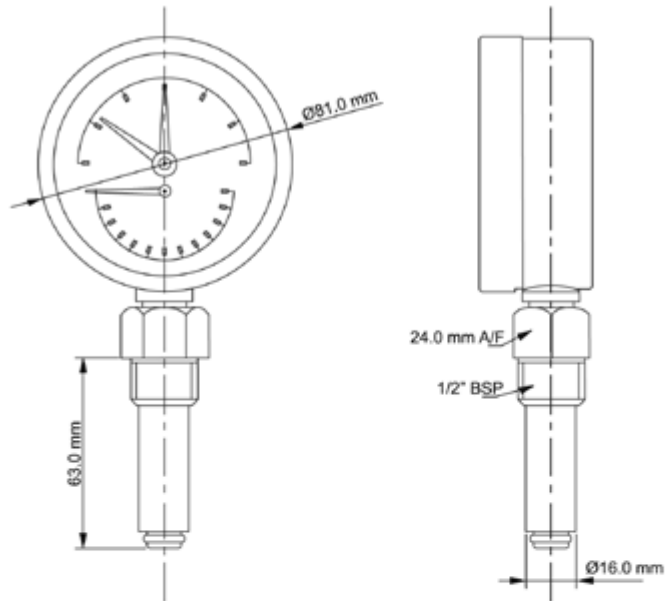
☎ +44 (0)1946 816600

🌐 [brannan.co.uk](http://brannan.co.uk)

## Combined gauge - bottom entry

Weight: 294g

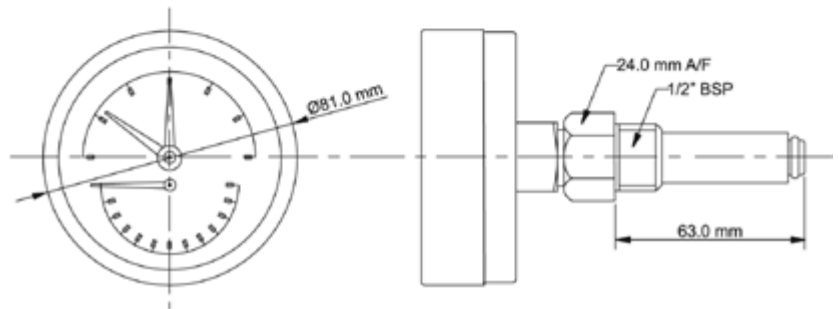
Supplied in individual box:  
(167 x 85 x 48mm - 34g)



## Combined gauge - back entry

Weight: 298g

Supplied in individual box:  
(150 x 87 x 85mm - 39g)



### Standard product numbers:

#### Combined thermometer/Pressure gauge

Range	Product number	
	Bottom entry	Back entry
0 to +120°C only / 0 to 6 bar	36/618/1	35/618/1

### Standard product numbers:

#### Combined thermometer/Altitude gauge

Range	Product number	
	Bottom entry	Back entry
0 to +120°C only / 0 to 30 metres	36/615/1	35/615/1
0 to +120°C only / 0 to 45 metres	36/616/1	35/616/1

View me on  
the website

