

# Product data sheet

✉ [sales@brannan.co.uk](mailto:sales@brannan.co.uk)

☎ +44 (0)1946 816600

🌐 [brannan.co.uk](http://brannan.co.uk)

## CG010 - COMBINED GAUGE



### Features:

- Low cost solution for temperature and pressure or temperature and altitude measurement
- Supplied with self-sealing brass pocket
- **Brannan** quality and accuracy
- For indoor installations

### Standard product specifications:

Dial Diameter	80mm
Temp/Pressure Range	0 to +120°C only / 0 to 6 bar only
Temp/Altitude Range	0 to +120°C only and 0 to 30 or 45 metres
Case	Black steel
Window	Clear plastic, snap fit
Bezel	Chrome
Connection	1/2" BSP bottom or back
Pocket	Self-sealing brass
Sensor Mechanism	Bimetal coil, copper alloy bourdon
Pointer	Black aluminium with loose red pointer
Filling	Dry
Working Pressure	Steady: 75% full scale range Fluctuating: 60% full scale range Short Time: full scale range
Operating Temperature	Ambient: -20 to +60°C Medium: -20 to +60°C
Storage Temperature	-40 to +60°C
Temperature Effect	When temperature of the pressure element deviates from reference temperature of 20°C the maximum additional error is +/-0.4 per 10°C of the span rising and falling

# Product data sheet

✉ [sales@brannan.co.uk](mailto:sales@brannan.co.uk)

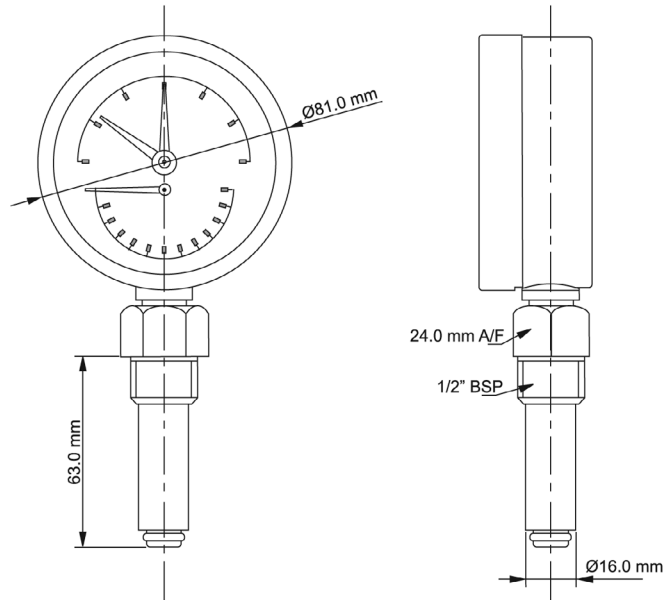
☎ +44 (0)1946 816600

🌐 [brannan.co.uk](http://brannan.co.uk)

## Combined gauge - bottom entry

Weight: 294g

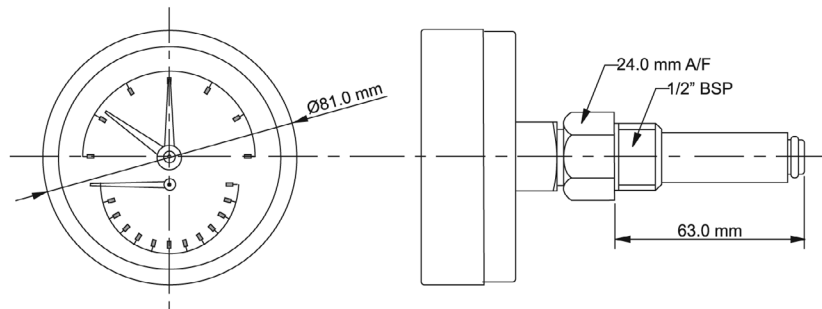
Supplied in individual box:  
(167 x 85 x 48mm - 34g)



## Combined gauge - back entry

Weight: 298g

Supplied in individual box:  
(150 x 87 x 85mm - 39g)



### Standard product numbers:

#### Combined thermometer/Pressure gauge

Range	Product number	
	Bottom entry	Back entry
0 to +120°C only / 0 to 6 bar	36/618/1	35/618/1

### Standard product numbers:

#### Combined thermometer/Altitude gauge

Range	Product number	
	Bottom entry	Back entry
0 to +120°C only / 0 to 30 metres	36/615/1	35/615/1
0 to +120°C only / 0 to 45 metres	36/616/1	35/616/1

View me on  
the website

