

Product data sheet

✉ sales@brannan.co.uk

☎ +44 (0)1946 816600

🌐 brannan.co.uk

BT050 - CLIP ON PIPE THERMOMETERS



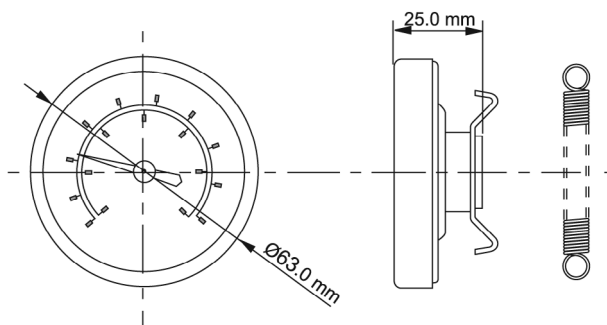
Features:

- Thermometer for pipe surface temperature measurement
- Low price and easy installation
- Supplied with spring for attaching thermometer to pipe
- Suitable for pipe diameters from 20mm to 50mm
- **Brannan** quality and accuracy
- Available with or without bezel
- For hot and chilled water pipes

Standard product specifications:

Dial diameters	63mm
Design	BS EN 13190
Accuracy	+/-4°C
Ranges	-40 to +40°C&F through to 0 to +200°C&F
Case	Plastic case and window and chrome bezel (33/403/0 - metal case)
Window	Plastic (33/402/0 - glass)
Pointer	Black plastic
Filling	Dry
Sensor mechanism	Standard bimetal coil

Dimensions:



Standard product numbers:

Case material	Net weight	Range	Product no
Plastic	62g	0 to +120°C&F	33/401/0
	62g	0 to +200°C&F	33/402/0
Plastic - no bezel	56g	0 to +120°C&F	33/404/0
Metal	94g	-40 to +40°C&F	33/403/0

View me on the website

