

Brannan Product Data Sheet

PDS1519.20.REV6

XT024 - Liquid Expansion Thermometer with Capillary



Features

- Thermometer with stainless steel bezel and capillary stem
- High quality liquid expansion measuring system
- 150mm dials with back flange for surface mounting and 100mm dials with choice of back flange or front flange for panel mounting.
- Plastic coated bronze or full copper capillary (dependant on temperature range)
- Supplied complete with brass pocket
- Choice of temperature ranges and stem lengths
- **Brannan** quality and accuracy
- For dry indoor installations
- Wide range of associated accessories available

Standard Product Specifications

| | |
|-----------------------|---|
| Dial Diameters | 100mm & 150mm |
| Design | BS EN 13190 |
| Accuracy Class | 2 |
| Ranges | -20 to +60°C&F through to 0 to +250°C&F |
| Case | Black steel |
| Bezel | 304 Stainless Steel |
| Connection | 1/2" BSP bottom connection with back flange or back connection with front flange |
| Stem Lengths | 75mm, 150mm & 200mm |
| Pockets | 50mm, 100mm & 150mm Brass (SS 304 or SS316 available on request) |
| Capillary | 1.5m, 3m & 5m Ranges up to +200°C - plastic coated bronze. Ranges over +200°C - full copper capillary |
| Sensor Mechanism | Liquid expansion (Kerosene filling) |
| Window | PMMA |
| Pointer | Black plastic |
| Filling | Dry |
| Operating Temperature | 0 to +40°C (higher or lower temperatures can cause indication errors) |
| Storage Temperature | -40 to +60°C |
| Protection | IP 54 (BS EN 60529:1992) |
| Calibration | UKAS certification, certificate traceable to Recognised National Standard or Statement of Conformity, if required |

www.brannan.co.uk

Measurement for Life.

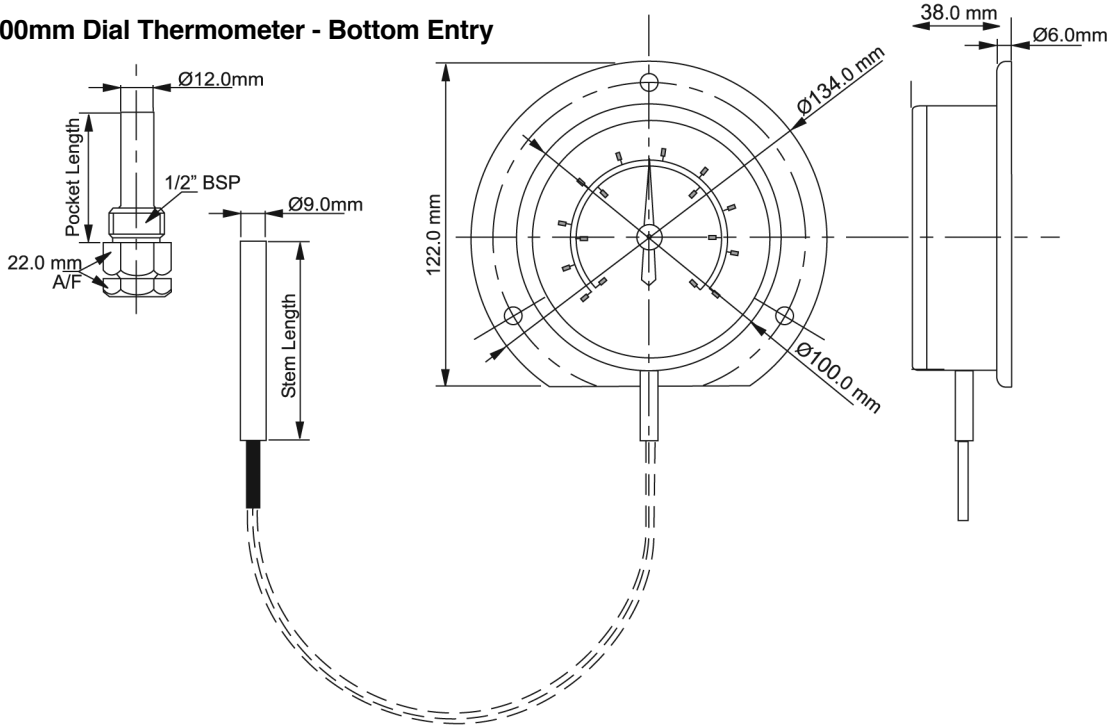


Brannan Product Data Sheet

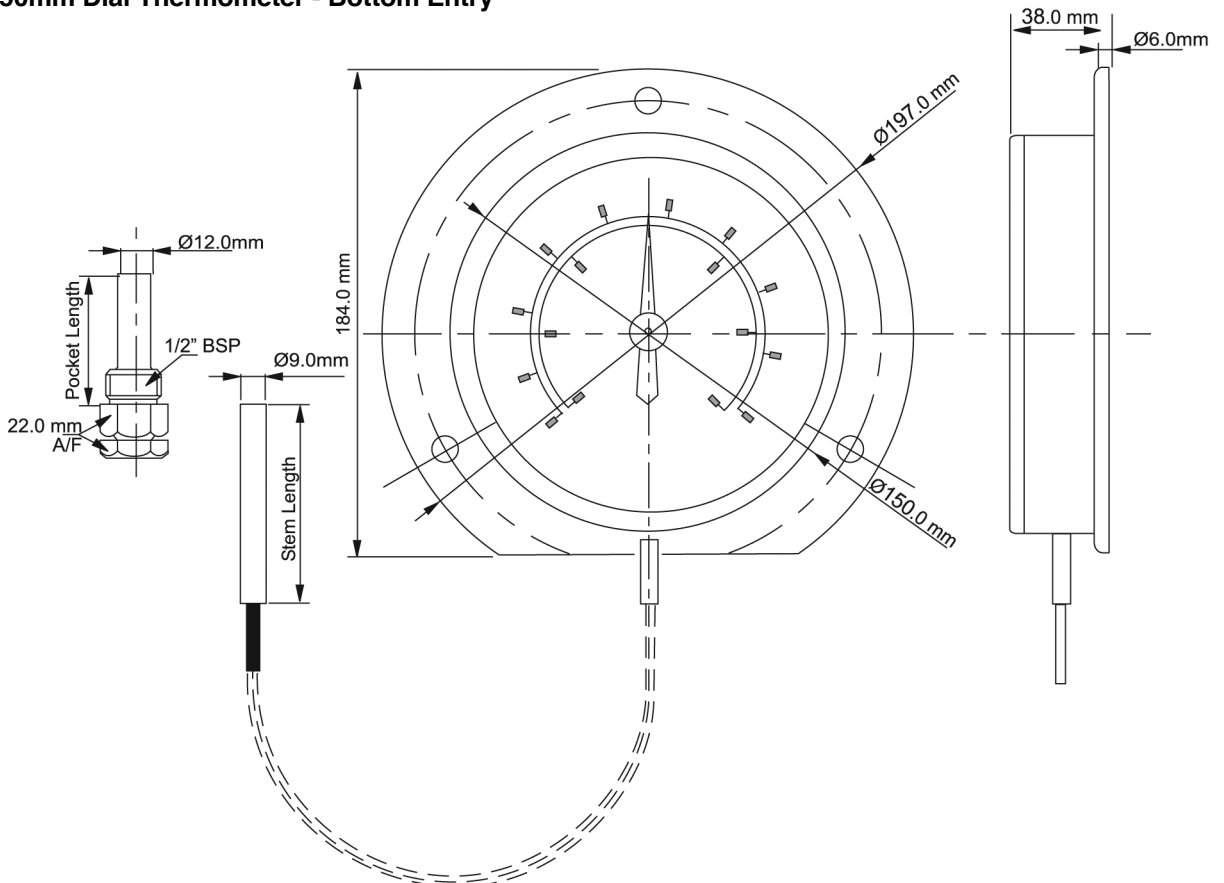
PDS1519.20.REV6

XT024 - Liquid Expansion Thermometer with Capillary

Dimensions 100mm Dial Thermometer - Bottom Entry



150mm Dial Thermometer - Bottom Entry



www.brannan.co.uk

Measurement for Life.



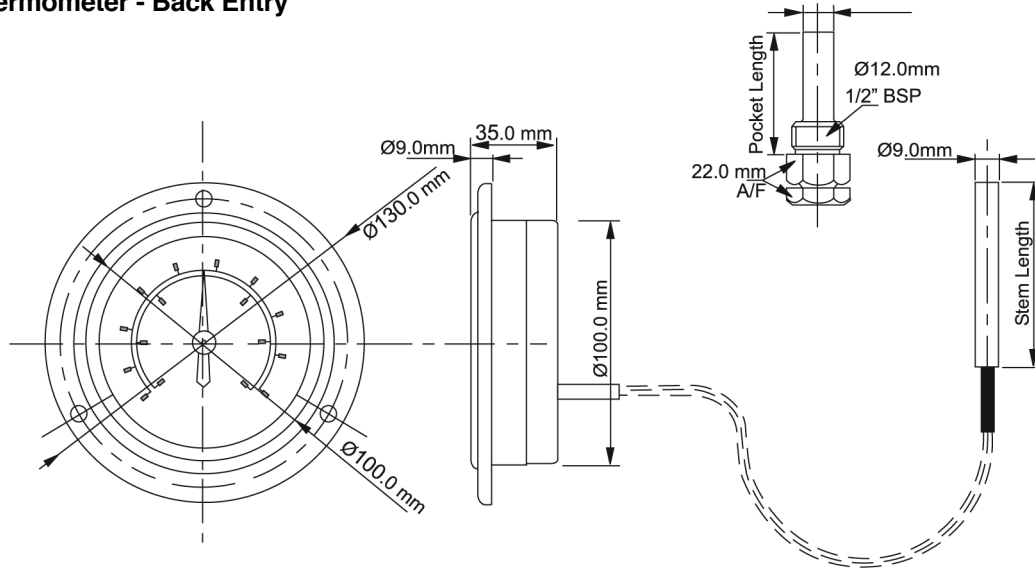
Brannan Product Data Sheet

PDS1519.20.REV6

XT024 - Liquid Expansion Thermometer with Capillary

Dimensions

100mm Dial Thermometer - Back Entry



www.brannan.co.uk

Measurement for Life.



Brannan Product Data Sheet

PDS1519.20.REV6

XT024 - Liquid Expansion Thermometer with Capillary

Standard Product Numbers

The following are our standard product numbers. Special products can be supplied on request, for example, customer own branding, alternative connection, range, etc. Minimum order quantities apply. Please contact our Sales Team for further information.

100mm Diameter Dials - Bottom Entry (with back flange)

| Range | 1.5m Capillary | | | 3m Capillary | | | 5m Capillary | | |
|-------------------|---------------------------|-----------------------------|-----------------------------|---------------------------|-----------------------------|-----------------------------|---------------------------|-----------------------------|-----------------------------|
| | 75mm Stem/ 50mm Pocket | 150mm Stem/ 100mm Pocket | 200mm Stem/ 150mm Pocket | 75mm Stem/ 50mm Pocket | 150mm Stem/ 100mm Pocket | 200mm Stem/ 150mm Pocket | 75mm Stem/ 50mm Pocket | 150mm Stem/ 100mm Pocket | 200mm Stem/ 150mm Pocket |
| -40 to +40°C only | 91/621/0 | 91/621/1 | 91/621/2 | 91/631/0 | 91/631/1 | 91/631/2 | 91/651/0 | 91/651/1 | 91/651/2 |
| -20 to +60°C&F | 91/624/0 | 91/624/1 | 91/624/2 | 91/634/0 | 91/634/1 | 91/634/2 | 91/654/0 | 91/654/1 | 91/654/2 |
| 0 to +120°C&F | 91/626/0 | 91/626/1 | 91/626/2 | 91/636/0 | 91/636/1 | 91/636/2 | 91/656/0 | 91/656/1 | 91/656/2 |
| 0 to +250°C&F | 91/628/0 | 91/628/1 | 91/628/2 | 91/638/0 | 91/638/1 | 91/638/2 | 91/658/0 | 91/658/1 | 91/658/2 |

150mm Diameter Dials - Bottom Entry (with back flange)

| Range | 1.5m Capillary | | | 3m Capillary | | | 5m Capillary | | |
|-------------------|---------------------------|-----------------------------|-----------------------------|---------------------------|-----------------------------|-----------------------------|---------------------------|-----------------------------|-----------------------------|
| | 75mm Stem/ 50mm Pocket | 150mm Stem/ 100mm Pocket | 200mm Stem/ 150mm Pocket | 75mm Stem/ 50mm Pocket | 150mm Stem/ 100mm Pocket | 200mm Stem/ 150mm Pocket | 75mm Stem/ 50mm Pocket | 150mm Stem/ 100mm Pocket | 200mm Stem/ 150mm Pocket |
| -40 to +40°C only | 91/921/0 | 91/921/1 | 91/921/2 | 91/931/0 | 91/931/1 | 91/931/2 | 91/951/0 | 91/951/1 | 91/951/2 |
| -20 to +60°C&F | 91/924/0 | 91/924/1 | 91/924/2 | 91/934/0 | 91/934/1 | 91/934/2 | 91/954/0 | 91/954/1 | 91/954/2 |
| 0 to +120°C&F | 91/926/0 | 91/926/1 | 91/926/2 | 91/936/0 | 91/936/1 | 91/936/2 | 91/956/0 | 91/956/1 | 91/956/2 |
| 0 to +250°C&F | 91/928/0 | 91/928/1 | 91/928/2 | 91/938/0 | 91/938/1 | 91/938/2 | 91/958/0 | 91/958/1 | 91/958/2 |

100mm Diameter Dials - Back Entry (with front flange)

| Range | 1.5m Capillary | | | 3m Capillary | | | 5m Capillary | | |
|-------------------|---------------------------|-----------------------------|-----------------------------|---------------------------|-----------------------------|-----------------------------|---------------------------|-----------------------------|-----------------------------|
| | 75mm Stem/ 50mm Pocket | 150mm Stem/ 100mm Pocket | 200mm Stem/ 150mm Pocket | 75mm Stem/ 50mm Pocket | 150mm Stem/ 100mm Pocket | 200mm Stem/ 150mm Pocket | 75mm Stem/ 50mm Pocket | 150mm Stem/ 100mm Pocket | 200mm Stem/ 150mm Pocket |
| -40 to +40°C only | 92/621/0 | 92/621/1 | 92/621/2 | 92/631/0 | 92/631/1 | 92/631/2 | 92/651/0 | 92/651/1 | 92/651/2 |
| -20 to +60°C&F | 92/624/0 | 92/624/1 | 92/624/2 | 92/634/0 | 92/634/1 | 92/634/2 | 92/654/0 | 92/654/1 | 92/654/2 |
| 0 to +120°C&F | 92/626/0 | 92/626/1 | 92/626/2 | 92/636/0 | 92/636/1 | 92/636/2 | 92/656/0 | 92/656/1 | 92/656/2 |
| 0 to +250°C&F | 92/628/0 | 92/628/1 | 92/628/2 | 92/638/0 | 92/638/1 | 92/638/2 | 92/658/0 | 92/658/1 | 92/658/2 |

Calibration Product Numbers



| Calibration | No of Points | Product Number |
|------------------------------------|--------------|----------------|
| UKAS | 3pt | 49/070/0 |
| Traceable to National Standards | 1pt | 49/099/0 |
| | 3pt | 49/101/0 |
| | 4pt | 49/104/0 |
| | 5pt | 49/105/0 |

Weights and Packaging Dimensions on request

www.brannan.co.uk

Measurement for Life.



Brannan Product Data Sheet

PDS1519.20.REV6

XT024 - Liquid Expansion Thermometer with Capillary

Pockets for Thermometers (Thermowells)

- Available in brass or stainless steel
- To suit stem lengths 50mm, 100mm or 150mm



Standard Product Numbers

| Connection | Supplied as standard | Material | Product No | | |
|--|----------------------|-----------------|------------|----------|----------|
| | | | L=50mm | L=100mm | L=150mm |
| Sliding fit F x 1/2" BSP M | BT010, BT020 | Brass | 39/097/0 | 39/098/0 | - |
| Sliding fit F x 1/2" BSP M | - | Stainless Steel | 39/095/0 | 39/096/0 | - |
| 3/8" BSP F x 1/2" BSP M | XT020, XT025 | Brass | 39/121/0 | 39/122/0 | 39/123/0 |
| 3/8" BSP F x 1/2" BSP M | XT040, XT045 | Stainless Steel | 39/111/0 | 39/112/0 | 39/113/0 |
| 3/8" BSP F x 1/2" BSP M with 50mm Lagging Extensions | - | Brass | 39/160/0 | 39/161/0 | - |
| 3/8" BSP F x 1/2" BSP M with 50mm Lagging Extensions | - | Stainless Steel | 39/170/0 | 39/171/0 | - |
| 3/8" BSP F x 3/4" BSP M | - | Brass | 39/124/0 | 39/125/0 | 39/120/0 |
| 3/8" BSP F x 3/4" BSP M | - | Stainless Steel | 39/114/0 | 39/115/0 | 39/116/0 |

www.brannan.co.uk

Measurement for Life.

