

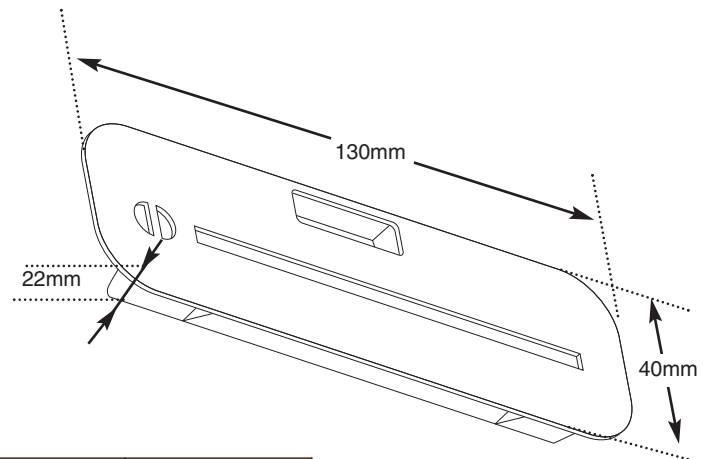
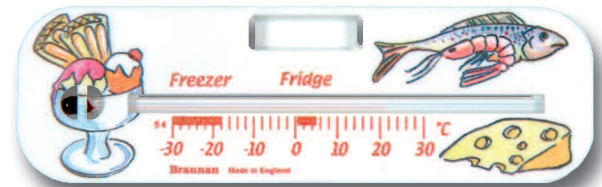
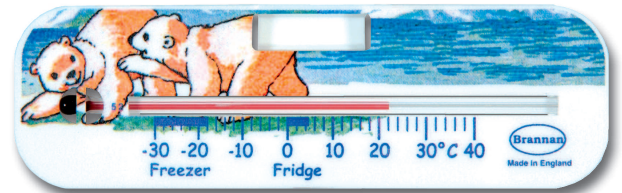


Printed Horizontal Fridge or Freezer Thermometer

130mm white horizontal fridge or freezer thermometer with choice of design and co-ordinating temperature scale. Coloured zones indicate recommended food storage zones.

Product Specifications

- Nominal Range:** -30 to +40°C
- Accuracy:** +/- 1.0°C @ 10°C
- CE:** N/A
- ROHS/WEEE:** N/A
- Hazard Information (SDS):** See www.brannan.co.uk for information
- Product Material:** Moulding: High Impact Styrene
Glass Tube: Kerosene filled
- Component Weights:** Plastic - 11g
Glass - 4g
- Product Weight:** Unpackaged - 15g
Packaged - 30g
- Product Dimensions :** Unpackaged - 130 x 40 x 22mm
Packaged - 218 x 95 x 23.5mm
- Display Card Weight:** 10g - 600mu board
- Display Card Dimensions:** 218 x 95 x 0.5mm
- Display PVC Blister Weight:** 5g
- Display PVC Blister Dimensions:** 175 x 83 x 23mm



| Description | Nominal Range* | Divisions | Barcode | Product No |
|--------------------------------|----------------|-----------|-----------------|-----------------|
| Penguin Design | -30 +40°C | 2.0°C | 5 011405 224859 | 22/485/2 |
| Polar Bear Design | -30 +40°C | 2.0°C | 5 011405 224866 | 22/486/2 |
| Sundae Design | -30 +40°C | 2.0°C | 5 011405 224880 | 22/488/2 |
| Pack of 6 - Two of each design | -30 +40°C | 2.0°C | 5 011405 224859 | 22/489/2 |

* Temperature ranges may have different upper and lower temperature extremes than stated due to manufacturing processes.

PDS 0029:09:R0

