

# Product data sheet

✉ [sales@brannan.co.uk](mailto:sales@brannan.co.uk)

☎ +44 (0)1946 816600

🌐 [brannan.co.uk](http://brannan.co.uk)

## XT025 - LIQUID EXPANSION THERMOMETER WITH CAPILLARY

### Features:

- Thermometer with stainless steel bezel and capillary stem
- High quality liquid expansion measuring system
- 150mm dials with back flange for surface mounting and 100mm dials with choice of back flange or front flange for panel mounting.
- Plastic coated bronze capillary
- Supplied complete with brass pocket
- Choice of temperature ranges and stem lengths
- **Brannan** quality and accuracy
- For dry indoor installations
- Wide range of associated accessories available



### Standard product specifications:

<b>Dial diameters</b>	100mm & 150mm
<b>Design</b>	BS EN 13190
<b>Accuracy class</b>	2
<b>Ranges</b>	-20 to +60°C&F through to 0 to +120°C&F
<b>Case</b>	Black steel
<b>Bezel</b>	304 stainless steel
<b>Connection</b>	1/2" BSP bottom connection with back flange or back connection with front flange
<b>Stem lengths</b>	75mm, 150mm & 200mm
<b>Pockets</b>	50mm, 100mm & 150mm Brass (SS 304 or SS316 available on request)
<b>Capillary</b>	1.5m, 3m & 5m
<b>Sensor mechanism</b>	Liquid expansion (Kerosene filling)
<b>Window</b>	PMMA
<b>Pointer</b>	Black plastic
<b>Filling</b>	Dry
<b>Operating temperature</b>	0 to +40°C (higher or lower temperatures can cause indication errors)
<b>Storage temperature</b>	-40 to +60°C
<b>Protection</b>	IP 54 (BS EN 60529:1992)
<b>Calibration</b>	Certificate traceable to Recognised National Standard or Statement of Conformity, if required

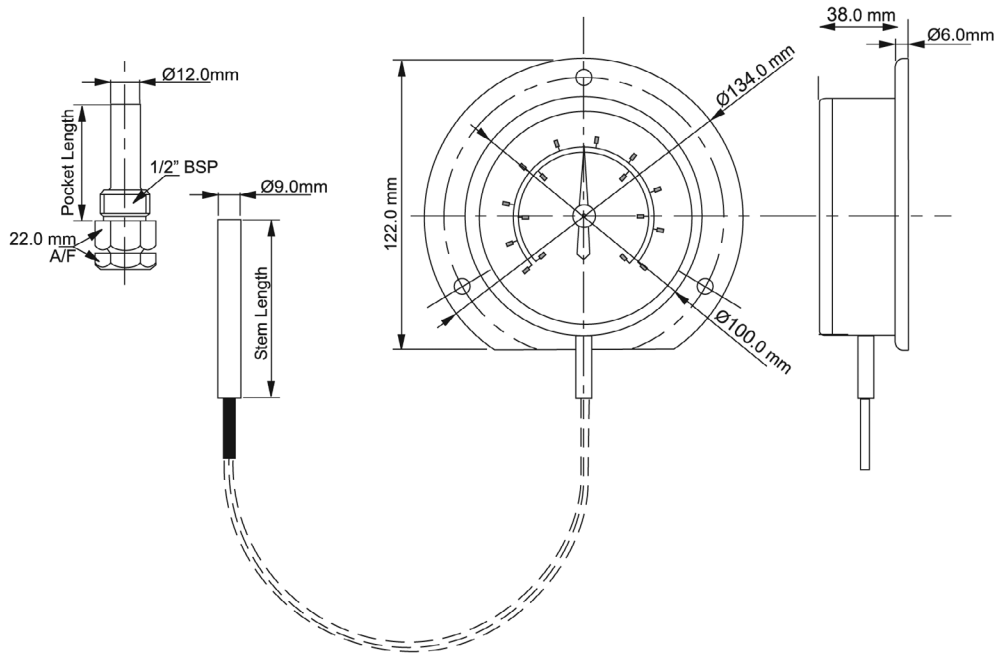
# Product data sheet

✉ [sales@brannan.co.uk](mailto:sales@brannan.co.uk)

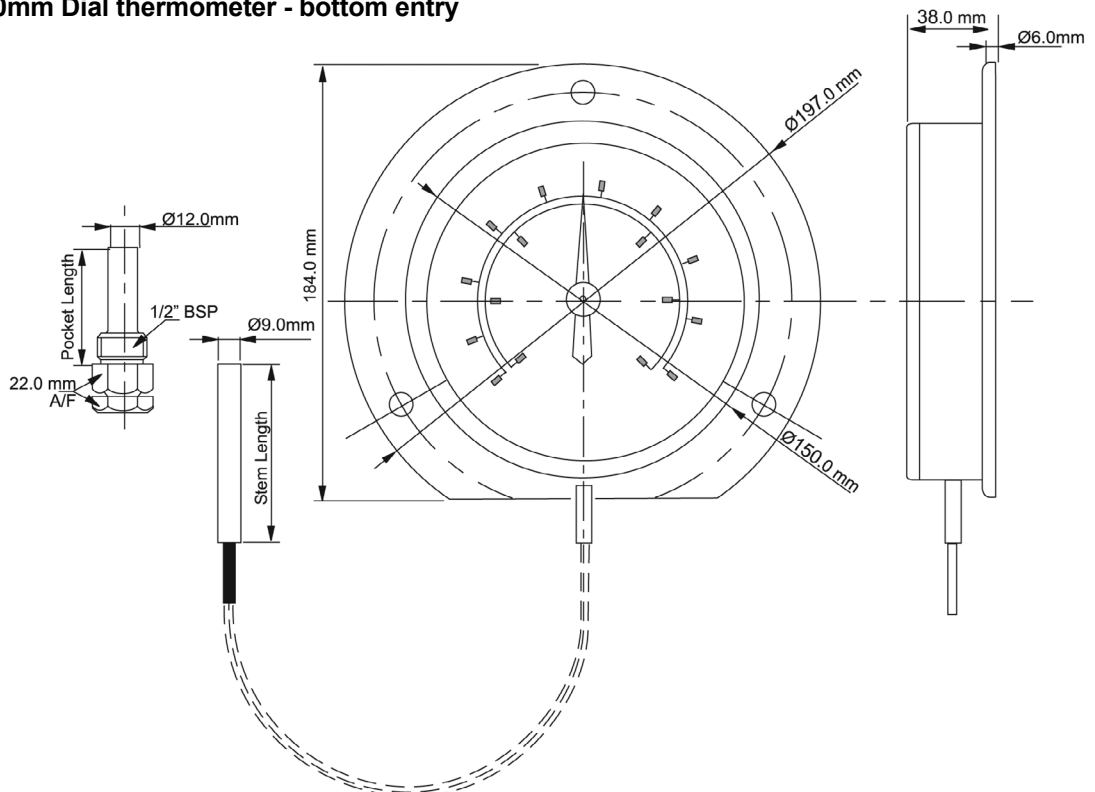
☎ +44 (0)1946 816600

🌐 [brannan.co.uk](http://brannan.co.uk)

## Dimensions: 100mm Dial thermometer - bottom entry



## 150mm Dial thermometer - bottom entry



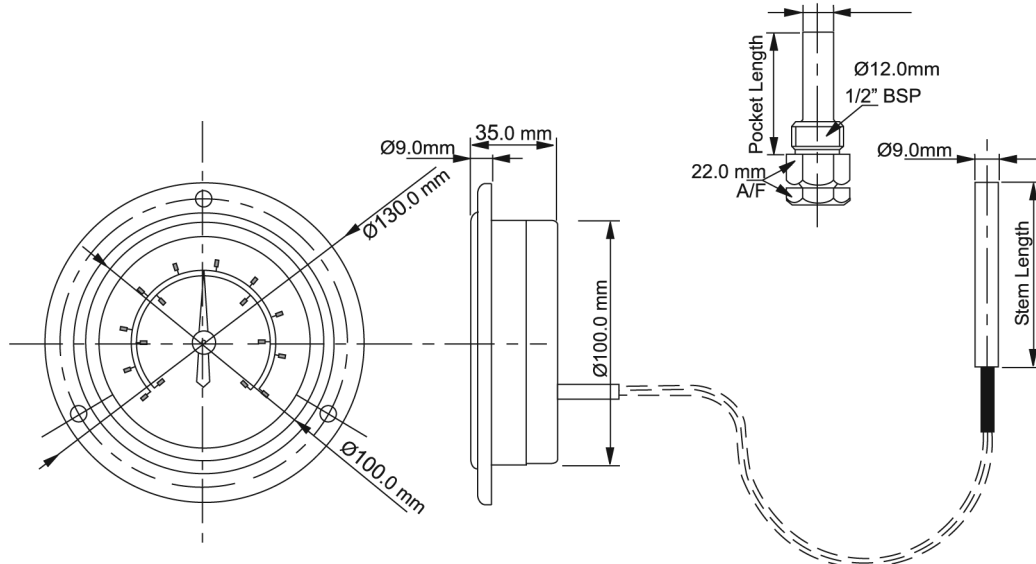
# Product data sheet

✉ [sales@brannan.co.uk](mailto:sales@brannan.co.uk)

☎ +44 (0)1946 816600

🌐 [brannan.co.uk](http://brannan.co.uk)

Dimensions: 100mm Dial thermometer - back entry



# Product data sheet

## Standard product numbers:

The following are our standard product numbers. Special products can be supplied on request, for example, customer own branding, alternative connection, range, etc. Minimum order quantities apply. Please contact our Sales Team for further information.

### Ø100mm dials - bottom entry (with back flange):

Range	1.5m Capillary			3m Capillary			5m Capillary		
	75mm stem/ 50mm pocket	150mm stem/ 100mm pocket	200mm stem/ 150mm pocket	75mm stem/ 50mm pocket	150mm stem/ 100mm pocket	200mm stem/ 150mm pocket	75mm Stem/ 50mm pocket	150mm stem/ 100mm pocket	200mm stem/ 150mm pocket
-40 to +40°C only	91/621/0	91/621/1	91/621/2	91/631/0	91/631/1	91/631/2	91/651/0	91/651/1	91/651/2
-20 to +60°C&F	91/624/0	91/624/1	91/624/2	91/634/0	91/634/1	91/634/2	91/654/0	91/654/1	91/654/2
0 to +120°C&F	91/626/0	91/626/1	91/626/2	91/636/0	91/636/1	91/636/2	91/656/0	91/656/1	91/656/2

### Ø150mm dials - bottom entry (with back flange):

Range	1.5m Capillary			3m Capillary			5m Capillary		
	75mm stem/ 50mm pocket	150mm stem/ 100mm pocket	200mm stem/ 150mm pocket	75mm stem/ 50mm pocket	150mm stem/ 100mm pocket	200mm stem/ 150mm pocket	75mm Stem/ 50mm pocket	150mm stem/ 100mm pocket	200mm stem/ 150mm pocket
-40 to +40°C only	91/921/0	91/921/1	91/921/2	91/931/0	91/931/1	91/931/2	91/951/0	91/951/1	91/951/2
-20 to +60°C&F	91/924/0	91/924/1	91/924/2	91/934/0	91/934/1	91/934/2	91/954/0	91/954/1	91/954/2
0 to +120°C&F	91/926/0	91/926/1	91/926/2	91/936/0	91/936/1	91/936/2	91/956/0	91/956/1	91/956/2

### Ø100mm dials - back entry (with front flange):

Range	1.5m Capillary			3m Capillary			5m Capillary		
	75mm stem/ 50mm pocket	150mm stem/ 100mm pocket	200mm stem/ 150mm pocket	75mm stem/ 50mm pocket	150mm stem/ 100mm pocket	200mm stem/ 150mm pocket	75mm Stem/ 50mm pocket	150mm stem/ 100mm pocket	200mm stem/ 150mm pocket
-40 to +40°C only	92/621/0	92/621/1	92/621/2	92/631/0	92/631/1	92/631/2	92/651/0	92/651/1	92/651/2
-20 to +60°C&F	92/624/0	92/624/1	92/624/2	92/634/0	92/634/1	92/634/2	92/654/0	92/654/1	92/654/2
0 to +120°C&F	92/626/0	92/626/1	92/626/2	92/636/0	92/636/1	92/636/2	92/656/0	92/656/1	92/656/2


## Calibration product numbers:

Calibration	No of points	Product number
Traceable to National Standards	1pt	49/099/0
	3pt	49/101/0
	4pt	49/104/0
	5pt	49/105/0

Weights and packaging dimensions on request

# Product data sheet

 [sales@brannan.co.uk](mailto:sales@brannan.co.uk)

 +44 (0)1946 816600

 [brannan.co.uk](http://brannan.co.uk)

## Pockets for thermometers (Thermowells):

- Available in brass or stainless steel
- To suit stem lengths 50mm, 100mm or 150mm



## Standard product numbers:

Connection	Supplied as standard	Material	Product no		
			L=50mm	L=100mm	L=150mm
Sliding fit F x 1/2" BSP M	BT010, BT020	Brass	39/097/0	39/098/0	-
Sliding fit F x 1/2" BSP M	-	Stainless steel	39/095/0	39/096/0	-
3/8" BSP F x 1/2" BSP M	XT020, XT025	Brass	39/121/0	39/122/0	39/123/0
3/8" BSP F x 1/2" BSP M	XT040, XT045	Stainless steel	39/111/0	39/112/0	39/113/0
3/8" BSP F x 1/2" BSP M with 50mm Lagging extensions	-	Brass	39/160/0	39/161/0	-
3/8" BSP F x 1/2" BSP M with 50mm Lagging extensions	-	Stainless steel	39/170/0	39/171/0	-
3/8" BSP F x 3/4" BSP M	-	Brass	39/124/0	39/125/0	39/120/0
3/8" BSP F x 3/4" BSP M	-	Stainless steel	39/114/0	39/115/0	39/116/0

View me on  
the website

