

Product data sheet

✉ sales@brannan.co.uk

☎ +44 (0)1946 816600

🌐 brannan.co.uk

XT020 - LIQUID EXPANSION THERMOMETERS



Features:

- Thermometer with stainless steel bezel and brass stem
- High quality liquid expansion measuring system
- Wide choice of temperature ranges and stem lengths
- Supplied complete with brass pocket
- **Brannan** quality and accuracy
- For dry indoor installations
- Wide range of associated accessories available

Standard product specifications:

Dial diameters	100mm & 150mm
Lagging extension	50mm (100mm lagging extension available on request)
Design	BS EN 13190
Accuracy class	2
Ranges	-20 to +60°C&F through to 0 to +200°C&F (0 to +250°C only)
Case	Black steel
Bezel	430 Stainless steel
Connection	1/2" BSP bottom or back entry
Stem lengths	100mm, 150mm & 200mm
Pockets	50mm, 100mm & 150mm Brass (SS 304 or SS316 available on request)
Sensor mechanism	Liquid expansion (Kerosene filling)
Window	PMMA
Pointer	Black plastic
Filling	Dry
Operating temperature	0 to +40°C (higher or lower temperatures can cause indication errors)
Storage temperature	-40 to +60°C
Protection	IP 54 (BS EN 60529:1992)
Calibration	UKAS certification, certificate traceable to Recognised National Standard or Statement of Conformity, if required

Product data sheet

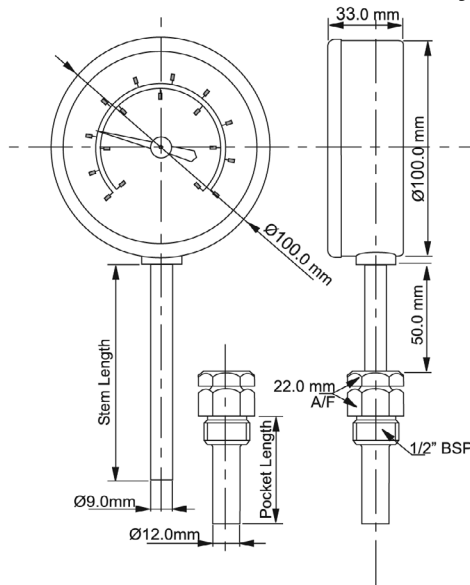
✉ sales@brannan.co.uk

☎ +44 (0)1946 816600

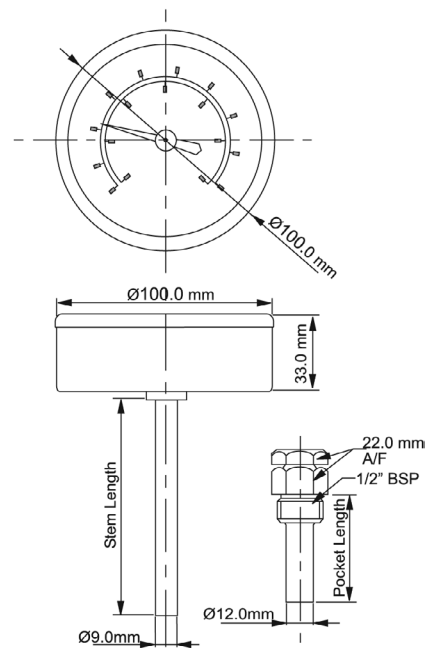
🌐 brannan.co.uk

Dimensions:

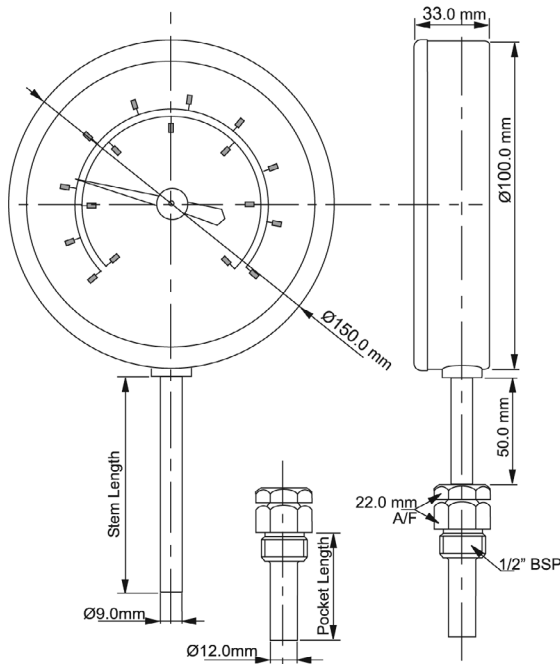
100mm Dial thermometer - bottom entry



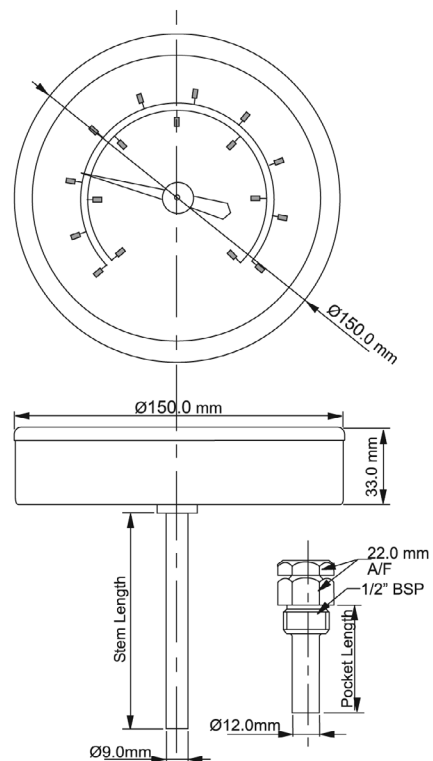
100mm Dial thermometer - back entry



150mm Dial thermometer - bottom entry




150mm Dial thermometer - back entry



Product data sheet

 sales@brannan.co.uk

 +44 (0)1946 816600

 brannan.co.uk

Standard Product Numbers:

The following are our standard product numbers. Special products can be supplied on request, for example, customer own branding, alternative connection, range, etc. Minimum order quantities apply. Please contact our Sales Team for further information.

Range	100mm Diameter product numbers					
	Bottom connection			Back connection		
	100mm Stem 50mm Pocket	150mm Stem 100mm Pocket	200mm Stem 150mm Pocket	100mm Stem 50mm Pocket	150mm Stem 100mm Pocket	200mm Stem 150mm Pocket
-40 to +40°C only	97/621/0	97/641/0	97/661/0	96/621/0	96/641/0	96/661/0
-40 to +40°C&F	97/622/0	97/642/0	97/662/0	96/622/0	96/642/0	96/662/0
-20 to +60°C only	97/623/0	97/643/0	97/663/0	96/623/0	96/643/0	96/663/0
-20 to +60°C&F	97/624/0	97/644/0	97/664/0	96/624/0	96/644/0	96/664/0
0 to +120°C only	97/625/0	97/645/0	97/665/0	96/625/0	96/645/0	96/665/0
0 to +120°C&F	97/626/0	97/646/0	97/666/0	96/626/0	96/646/0	96/666/0
0 to +160°C only	97/627/0	97/647/0	97/667/0	96/627/0	96/647/0	96/667/0
0 to +160°C&F	97/628/0	97/648/0	97/668/0	96/628/0	96/648/0	96/668/0
0 to +200°C&F	97/630/0	97/650/0	97/671/0	96/630/0	96/650/0	96/670/0
0 to +250°C only	97/629/0	97/649/0	97/670/0	96/629/0	96/649/0	96/669/0

Range	150mm Diameter product numbers					
	Bottom connection			Back connection		
	100mm Stem 50mm Pocket	150mm Stem 100mm Pocket	200mm Stem 150mm Pocket	100mm Stem 50mm Pocket	150mm Stem 100mm Pocket	200mm Stem 150mm Pocket
-40 to +40°C only	97/921/0	97/941/0	97/961/0	96/921/0	96/941/0	96/961/0
-40 to +40°C&F	97/922/0	97/942/0	97/962/0	96/922/0	96/942/0	96/962/0
-20 to +60°C only	97/923/0	97/943/0	97/963/0	96/923/0	96/943/0	96/963/0
-20 to +60°C&F	97/924/0	97/944/0	97/964/0	96/924/0	96/944/0	96/964/0
0 to +120°C only	97/925/0	97/945/0	97/965/0	96/925/0	96/945/0	96/965/0
0 to +120°C&F	97/926/0	97/946/0	97/966/0	96/926/0	96/946/0	96/966/0
0 to +160°C only	97/927/0	97/947/0	97/967/0	96/927/0	96/947/0	96/967/0
0 to +160°C&F	97/928/0	97/948/0	97/968/0	96/928/0	96/948/0	96/968/0
0 to +200°C&F	97/929/0	97/949/0	97/969/0	96/929/0	96/949/0	96/969/0
0 to +250°C only	97/930/0	97/950/0	97/970/0	96/930/0	96/950/0	96/970/0

Calibration product numbers:

Calibration	No of points	Product number
UKAS	3pt	49/070/0
Traceable to National Standards	1pt	49/099/0
	3pt	49/101/0
	4pt	49/104/0
	5pt	49/105/0

Weights and packaging dimensions on request

Product data sheet

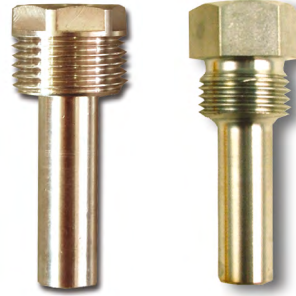
✉ sales@brannan.co.uk

☎ +44 (0)1946 816600

🌐 brannan.co.uk

Pockets for thermometers (Thermowells):

- Available in brass or stainless steel
- To suit stem lengths 50mm, 100mm or 150mm



Standard product numbers:

Connection	Supplied as standard	Material	Product no		
			L=50mm	L=100mm	L=150mm
Sliding fit F x 1/2" BSP M	BT010, BT020	Brass	39/097/0	39/098/0	-
Sliding fit F x 1/2" BSP M	-	Stainless steel	39/095/0	39/096/0	-
3/8" BSP F x 1/2" BSP M	XT020, XT025	Brass	39/121/0	39/122/0	39/123/0
3/8" BSP F x 1/2" BSP M	XT040, XT045	Stainless steel	39/111/0	39/112/0	39/113/0
3/8" BSP F x 1/2" BSP M with 50mm Lagging extensions	-	Brass	39/160/0	39/161/0	-
3/8" BSP F x 1/2" BSP M with 50mm Lagging extensions	-	Stainless steel	39/170/0	39/171/0	-
3/8" BSP F x 3/4" BSP M	-	Brass	39/124/0	39/125/0	39/120/0
3/8" BSP F x 3/4" BSP M	-	Stainless steel	39/114/0	39/115/0	39/116/0

View me on
the website

