

# Product data sheet

✉ [sales@brannan.co.uk](mailto:sales@brannan.co.uk)

☎ +44 (0)1946 816600

🌐 [brannan.co.uk](http://brannan.co.uk)

## BT020 - BIMETAL THERMOMETER WITH BEZEL



### Features:

- Thermometer with stainless steel bezel and brass stem
- Wide choice of temperature ranges and stem lengths
- Supplied with push-on brass pocket
- **Brannan** quality and accuracy
- For dry indoor installations
- Wide range of associated accessories available

### Applications:

- Heating
- Air conditioning
- Refrigeration
- Ventilation

### Standard product specifications:

Dial diameters	100mm
Design	BS EN 13190
Accuracy class	2 (as per BS EN 13190)
Ranges	-40 to +160°C&F
Case	Black steel
Bezel	Stainless steel - rolled
Pocket material	Brass
Pocket external diameter	12mm
Connection	1/2" brass push fit, bottom or back, BSP, NPT or BSPT
Stem length	Min: 50mm / Max: 300mm
Sensor mechanism	Bimetal coil
Window	Acrylic
Pointer	Black aluminium
Filling	Dry
Protection	IP 54 (BS EN 60529:1992)
Calibration	Certificate traceable to recognised national standard or statement of conformity, if required

View me on  
the website



# Product data sheet

✉ [sales@brannan.co.uk](mailto:sales@brannan.co.uk)

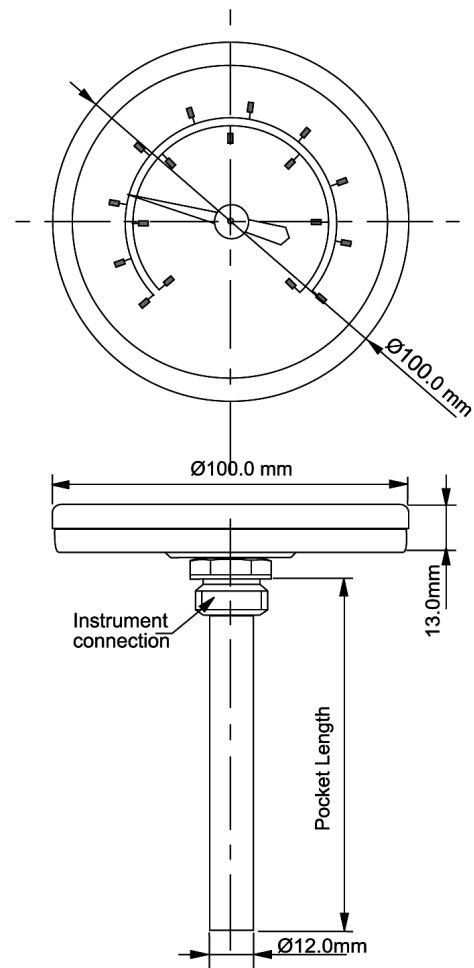
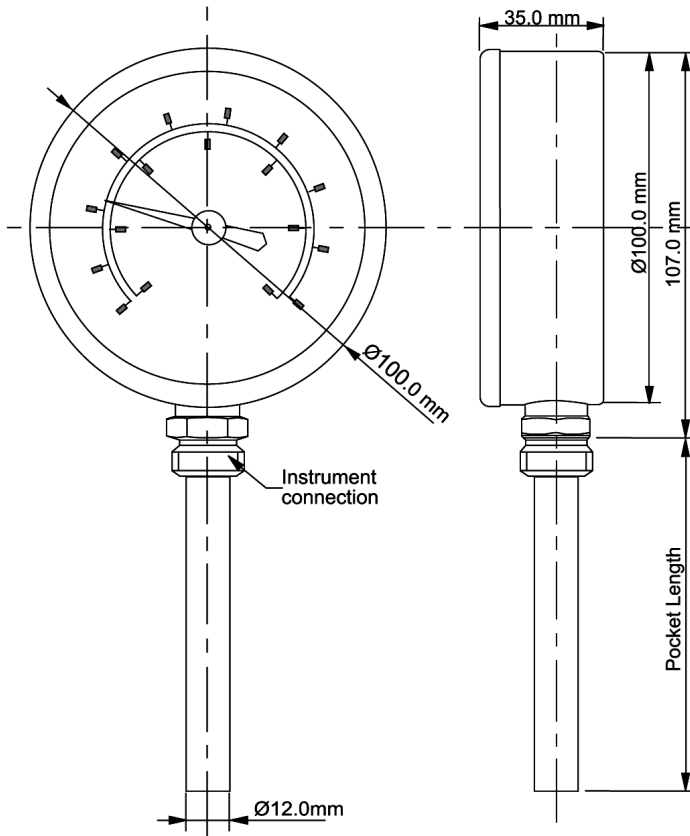
☎ +44 (0)1946 816600

🌐 [brannan.co.uk](http://brannan.co.uk)

## Product dimensions:

Ø100mm dial thermometer - bottom entry

Ø100mm dial thermometer - back entry



## Weights and packaging dimensions:

	100mm Bottom connection			100mm Back connection		
	50mm Pocket	100mm Pocket	150mm Pocket	50mm Pocket	100mm Pocket	150mm Pocket
Dial net weight	225.5g	259.5g	264.0g	151.0g	183.0g	189.0g
Box weight	54.0g	67.0g	83.5g	51.5g	67.0g	83.5g
Gross weight	282.0g	329.5g	349.5g	205.5g	252.0g	274.0g
Box dimensions	175 x 115 x 59mm	225 x 115 x 59mm	275 x 115 x 59mm	75 x 118 x 115mm	135 x 118 x 115mm	185 x 118 x 115mm

# Product data sheet

✉ [sales@brannan.co.uk](mailto:sales@brannan.co.uk)

☎ +44 (0)1946 816600

🌐 [brannan.co.uk](http://brannan.co.uk)

## Product numbers:

The following products are usually kept in stock at Brannan and can therefore be ordered on the below numbers:

### BT020 Ø100mm dial thermometers (°C outer scale - black, °F inner scale - black)

Range °C&F	1/2" BSP bottom connection			1/2" BSP back connection		
	50mm pocket	100mm pocket	150mm pocket	50mm pocket	100mm pocket	150mm pocket
-20 to +60°C&F	32/624/0	32/644/0	32/664/0	31/624/0	31/644/0	31/664/0
0 to +120°C&F	32/621/0	32/641/0	32/661/0	31/621/0	31/641/0	31/661/0
0 to +160°C&F	32/628/0	32/648/0	-	-	-	-

Other BT020 dials are ordered to specific customer specifications.

Please use below matrix to create your unique ordering product reference, using the values in bold.

Make	Model	Dial diameter	Range	Units	Pocket length (incl. thread)	Connection size/type	Connection orientation
Brannan (BRN)	BT020 (BT20)	100mm (100)	Celsius	°C outer / °F inner (CF)	50mm (50)	1/2" BSP (7)	Bottom (BO)
			<b>-20+60</b>		100mm (100)	1/2" NPT (8)	Back (BK)
			<b>0+120</b>		150mm (150)	1/2" BSPT (12)	
			<b>0+160</b>	°F outer / °C inner (FC)	200mm (200)		
			<b>0+200</b>	°C only (C)	250mm (250)		
			<b>-20+260</b>	°F only (F)	300mm (300)		
			Fahrenheit				
<b>0+140</b>							
<b>+30+250</b>							
<b>+30+320</b>							
<b>+50+400</b>							
<b>+50+500</b>							
		NB. Other ranges available on request			NB. Other connections available on request		

### Order example:

Make	Model	Dial diameter	Range	Units	Pocket length (incl. thread)	Connection size/type	Connection orientation
BRN	BT20	100	<b>-20+60</b>	<b>C</b>	<b>150</b>	<b>7</b>	<b>BO</b>

Product reference: BRNBT20/100/-20+60/C/150/7/BO

### Calibration product numbers:

Calibration	No of points	Product number
Traceable to National Standards	1pt	49/099/0
	3pt	49/101/0
	4pt	49/104/0
	5pt	49/105/0

### Replacement pockets

Connection	Supplied as standard / on special request	Material	Product numbers	
			L=50mm	L=100mm
Sliding fit F x 1/2" BSP M	Standard	Brass	39/097/0	39/098/0
Sliding fit F x 1/2" BSP M	Special request	Stainless steel	39/095/0	39/096/0

