

Product data sheet

✉ sales@brannan.co.uk

☎ +44 (0)1946 816600

🌐 brannan.co.uk

BT010 - BIMETAL THERMOMETERS



Features:

- Low price commercial thermometer
- Wide choice of temperature ranges and stem lengths
- Supplied with push-on brass pocket
- **Brannan** quality and accuracy
- For dry indoor installations
- Wide range of associated accessories available

Standard product specifications:

Dial diameters	63mm & 100mm
Design	BS EN 13190
Accuracy class	2
Ranges	-20 to +60°C&F through to 0 to +160°C&F
Case	63mm dia: plastic. 100mm dia: black steel
Connection	1/2" BSP Brass push fit, bottom or back (NPT or BSPT available on request)
Stem length	50mm through to 300mm
Sensor mechanism	Standard bimetal coil
Window	PMMA
Pointer	Black plastic
Filling	Dry
Operating temperature	-40 to +80°C
Storage temperature	-40 to +60°C
Protection	IP 54 (BS EN 60529:1992)
Calibration	UKAS certification, certificate traceable to Recognised National Standard or Statement of Conformity, if required

Product data sheet

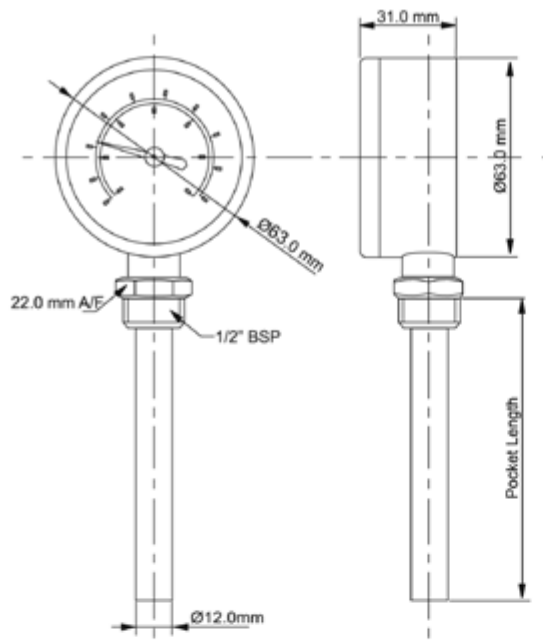
✉ sales@brannan.co.uk

☎ +44 (0)1946 816600

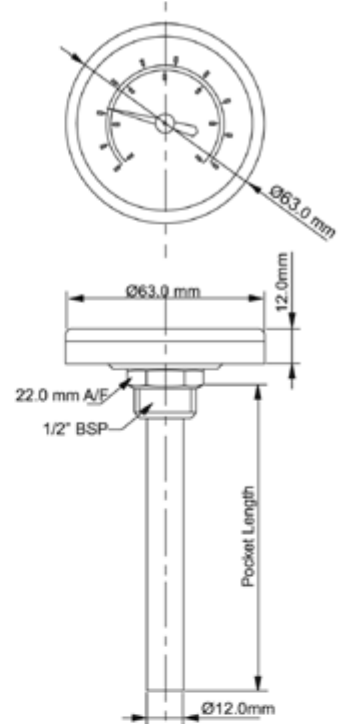
🌐 brannan.co.uk

Dimensions:

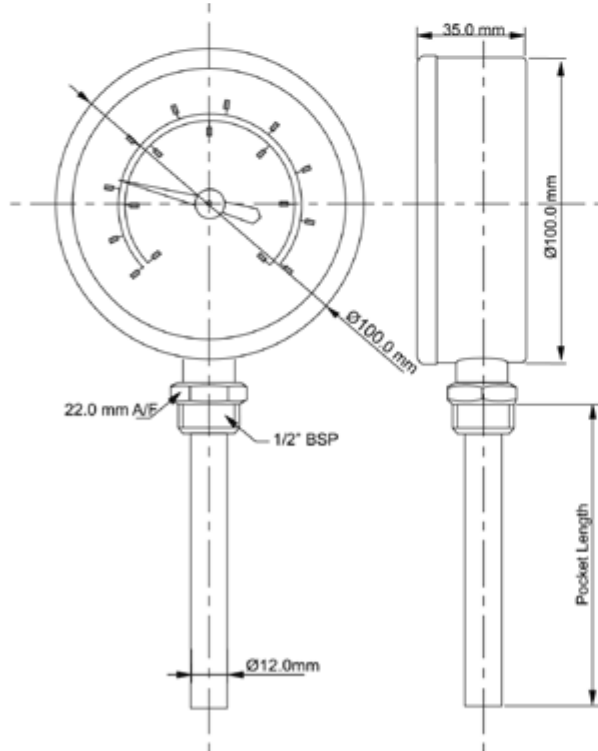
63mm Dial thermometer - bottom entry



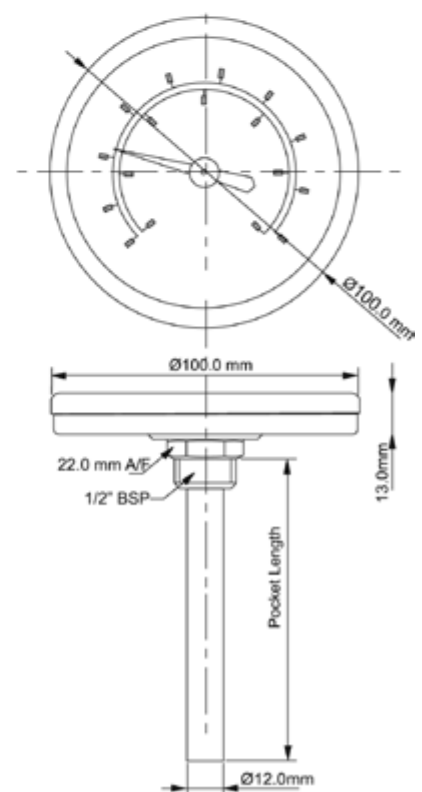
63mm Dial thermometer - back entry



100mm Dial thermometer - bottom entry




100mm Dial thermometer - back entry



Product data sheet

 sales@brannan.co.uk

 +44 (0)1946 816600

 brannan.co.uk

Standard product numbers:

The following are our standard product numbers. Special products can be supplied on request, for example, customer own branding, alternative connection, range, etc. Minimum order quantities apply. Please contact our Sales Team for further information.

Range °C&F	63mm Bottom connection pocket length					
	50mm	100mm	150mm	200mm	250mm	300mm
-20 to +60°C&F	32/428/0	32/448/0	32/468/0	32/478/0	32/488/0	32/498/0
0 to +120°C&F	32/421/0	32/441/0	32/461/0	32/471/0	32/481/0	32/491/0
0 to +160°C&F	32/424/0	32/444/0	32/464/0	32/474/0	32/484/0	32/494/0
63mm Back connection pocket length						
-20 to +60°C&F	31/428/0	31/448/0	31/468/0	31/478/0	31/488/0	31/498/0
0 to +120°C&F	31/421/0	31/441/0	31/461/0	31/471/0	31/481/0	31/491/0
0 to +160°C&F	31/424/0	31/444/0	31/464/0	31/474/0	31/484/0	31/494/0

Range °C&F	100mm Bottom connection pocket length					
	50mm	100mm	150mm	200mm	250mm	300mm
-20 to +60°C&F	32/828/0	32/848/0	32/868/0	32/878/0	32/888/0	32/898/0
0 to +120°C&F	32/821/0	32/841/0	32/861/0	32/871/0	32/881/0	32/891/0
0 to +160°C&F	32/824/0	32/844/0	32/864/0	32/874/0	32/884/0	32/894/0
100mm Back connection pocket length						
-20 to +60°C&F	31/828/0	31/848/0	31/868/0	31/878/0	31/888/0	31/898/0
0 to +120°C&F	31/821/0	31/841/0	31/861/0	31/871/0	31/881/0	31/891/0
0 to +160°C&F	31/824/0	31/844/0	31/864/0	31/874/0	31/884/0	31/894/0

Calibration product numbers:

Calibration	No of points	Product number
UKAS	3pt	49/070/0
Traceable to National Standards	1pt	49/099/0
	3pt	49/101/0
	4pt	49/104/0
	5pt	49/105/0

Weights and packaging dimensions:

	63mm Bottom connection					
	50mm Pkt	100mm Pkt	150mm Pkt	200mm Pkt	250mm Pkt	300mm Pkt
Dial net weight	140g	175g	210g	245g	280g	315g
Box weight	30g	35g	40g	45g	50g	55g
Gross weight	170g	210g	250g	290g	330g	370g
Box dimensions	70 x 70 x 135mm	70 x 70 x 190mm	70 x 70 x 240mm	70 x 70 x 280mm	70 x 70 x 350mm	70 x 70 x 380mm
63mm Back connection						
Dial net weight	110g	175g	210g	245g	280g	315g
Box weight	25g	30g	35g	40g	45g	50g
Gross weight	135g	205g	245g	285g	325g	365g
Box dimensions	70 x 70 x 75mm	70 x 70 x 135mm	70 x 70 x 190mm	70 x 70 x 240mm	70 x 70 x 280mm	70 x 70 x 350mm

Product data sheet

✉ sales@brannan.co.uk

☎ +44 (0)1946 816600

🌐 brannan.co.uk

	100mm Bottom connection			
	50mm Pocket	100mm Pocket	150mm Pocket	200mm - 300mm Pocket
Dial Net Weight	164.0g	207.0g	250.0g	Info on request
Box Weight	46.0g	46g	52.0g	
Gross Weight	210.0g	253.0g	302.0g	
Box Dimensions	225 x 115 x 60mm	225 x 115 x 60mm	275 x 115 x 60mm	

	100mm Back connection			
	50mm Pocket	100mm Pocket	150mm Pocket	200mm - 300mm Pocket
Dial Net Weight	134.0g	177.0g	210.0g	Info on request
Box Weight	26.0g	41.0g	53.0g	
Gross Weight	160.0g	218.0g	263.0g	
Box Dimensions	85 x 105 x 105mm	130 x 105 x 105mm	200 x 105 x 105mm	

Pockets for thermometers (Thermowells):

- Available in brass or stainless steel
- To suit stem lengths 50mm, 100mm or 150mm



Standard product numbers:

Connection	Supplied as standard	Material	Product no		
			L=50mm	L=100mm	L=150mm
Sliding fit F x 1/2" BSP M	BT010, BT020	Brass	39/097/0	39/098/0	-
Sliding fit F x 1/2" BSP M	-	Stainless Steel	39/095/0	39/096/0	-
3/8" BSP F x 1/2" BSP M	XT020, XT025	Brass	39/121/0	39/122/0	39/123/0
3/8" BSP F x 1/2" BSP M	XT040, XT045	Stainless Steel	39/111/0	39/112/0	39/113/0
3/8" BSP F x 1/2" BSP M with 50mm Lagging Extensions	-	Brass	39/160/0	39/161/0	-
3/8" BSP F x 1/2" BSP M with 50mm Lagging Extensions	-	Stainless Steel	39/170/0	39/171/0	-
3/8" BSP F x 3/4" BSP M	-	Brass	39/124/0	39/125/0	39/120/0
3/8" BSP F x 3/4" BSP M	-	Stainless Steel	39/114/0	39/115/0	39/116/0

View me on the website

